

MPC862/857T/857DSL PowerQUICC™ Family Hardware Specifications

This document contains detailed information on power considerations, DC/AC electrical characteristics, and AC timing specifications for the MPC862/857T/857DSL family (refer to [Table 1](#) for a list of devices). The MPC862P, which contains a PowerPC™ core processor, is the superset device of the MPC862/857T/857DSL family. For functional characteristics of the processor, refer to the *MPC862 PowerQUICC™ Family Users Manual* (MPC862UM/D).

Contents

| | |
|--|----|
| 1. Overview | 2 |
| 2. Features | 2 |
| 3. Maximum Tolerated Ratings | 8 |
| 4. Thermal Characteristics | 10 |
| 5. Power Dissipation | 10 |
| 6. DC Characteristics | 11 |
| 7. Thermal Calculation and Measurement | 12 |
| 8. Layout Practices | 15 |
| 9. Bus Signal Timing | 15 |
| 10. IEEE 1149.1 Electrical Specifications | 44 |
| 11. CPM Electrical Characteristics | 46 |
| 12. UTOPIA AC Electrical Specifications | 68 |
| 13. FEC Electrical Characteristics | 69 |
| 14. Mechanical Data and Ordering Information | 72 |
| 15. Document Revision History | 86 |

1 Overview

The MPC862/857T/857DSL is a derivative of Freescale's MPC860 PowerQUICC™ family of devices. It is a versatile single-chip integrated microprocessor and peripheral combination that can be used in a variety of controller applications and communications and networking systems. The MPC862/857T/857DSL provides enhanced ATM functionality over that of other ATM-enabled members of the MPC860 family.

Table 1 shows the functionality supported by the members of the MPC862/857T/857DSL family.

Table 1. MPC862 Family Functionality

| Part | Cache | | Ethernet | | SCC | SMC |
|-----------|-------------------|------------|----------|--------|----------------|----------------|
| | Instruction Cache | Data Cache | 10T | 10/100 | | |
| MPC862P | 16 Kbyte | 8 Kbyte | Up to 4 | 1 | 4 | 2 |
| MPC862T | 4 Kbyte | 4 Kbyte | Up to 4 | 1 | 4 | 2 |
| MPC857T | 4 Kbyte | 4 Kbyte | 1 | 1 | 1 | 2 |
| MPC857DSL | 4 Kbyte | 4 Kbyte | 1 | 1 | 1 ¹ | 1 ² |

¹ On the MPC857DSL, the SCC (SCC1) is for ethernet only. Also, the MPC857DSL does not support the Time Slot Assigner (TSA).

² On the MPC857DSL, the SMC (SMC1) is for UART only.

2 Features

The following list summarizes the key MPC862/857T/857DSL features:

- Embedded single-issue, 32-bit MPC8xx core (implementing the PowerPC architecture) with thirty-two 32-bit general-purpose registers (GPRs)
 - The core performs branch prediction with conditional prefetch, without conditional execution
 - 4- or 8-Kbyte data cache and 4- or 16-Kbyte instruction cache (see Table 1).
 - 16-Kbyte instruction cache (MPC862P) is four-way, set-associative with 256 sets; 4-Kbyte instruction cache (MPC862T, MPC857T, and MPC857DSL) is two-way, set-associative with 128 sets.
 - 8-Kbyte data cache (MPC862P) is two-way, set-associative with 256 sets; 4-Kbyte data cache (MPC862T, MPC857T, and MPC857DSL) is two-way, set-associative with 128 sets.
 - Cache coherency for both instruction and data caches is maintained on 128-bit (4-word) cache blocks.
 - Caches are physically addressed, implement a least recently used (LRU) replacement algorithm, and are lockable on a cache block basis.
 - MMUs with 32-entry TLB, fully associative instruction and data TLBs
 - MMUs support multiple page sizes of 4, 16, and 512 Kbytes, and 8 Mbytes; 16 virtual address spaces and 16 protection groups
 - Advanced on-chip-emulation debug mode

- The MPC862/857T/857DSL provides enhanced ATM functionality over that of the MPC860SAR. The MPC862/857T/857DSL adds major new features available in “enhanced SAR” (ESAR) mode, including the following:
 - Improved operation, administration and maintenance (OAM) support
 - OAM performance monitoring (PM) support
 - Multiple APC priority levels available to support a range of traffic pace requirements
 - ATM port-to-port switching capability without the need for RAM-based microcode
 - Simultaneous MII (10/100Base-T) and UTOPIA (half-duplex) capability
 - Optional statistical cell counters per PHY
 - UTOPIA level 2 compliant interface with added FIFO buffering to reduce the total cell transmission time. (The earlier UTOPIA level 1 specification is also supported.)
 - Multi-PHY support on the MPC857T
 - Four PHY support on the MPC857DSL
 - Parameter RAM for both SPI and I²C can be relocated without RAM-based microcode
 - Supports full-duplex UTOPIA both master (ATM side) and slave (PHY side) operation using a “split” bus
 - AAL2/VBR functionality is ROM-resident
- Up to 32-bit data bus (dynamic bus sizing for 8, 16, and 32 bits)
- 32 address lines
- Memory controller (eight banks)
 - Contains complete dynamic RAM (DRAM) controller
 - Each bank can be a chip select or $\overline{\text{RAS}}$ to support a DRAM bank
 - Up to 30 wait states programmable per memory bank
 - Glueless interface to Page mode/EDO/SDRAM, SRAM, EPROMs, flash EPROMs, and other memory devices.
 - DRAM controller programmable to support most size and speed memory interfaces
 - Four $\overline{\text{CAS}}$ lines, four $\overline{\text{WE}}$ lines, one $\overline{\text{OE}}$ line
 - Boot chip-select available at reset (options for 8-, 16-, or 32-bit memory)
 - Variable block sizes (32 Kbyte–256 Mbyte)
 - Selectable write protection
 - On-chip bus arbitration logic
- General-purpose timers
 - Four 16-bit timers cascadable to be two 32-bit timers
 - Gate mode can enable/disable counting
 - Interrupt can be masked on reference match and event capture
- Fast Ethernet controller (FEC)
 - Simultaneous MII (10/100Base-T) and UTOPIA operation when using the UTOPIA multiplexed bus.

Features

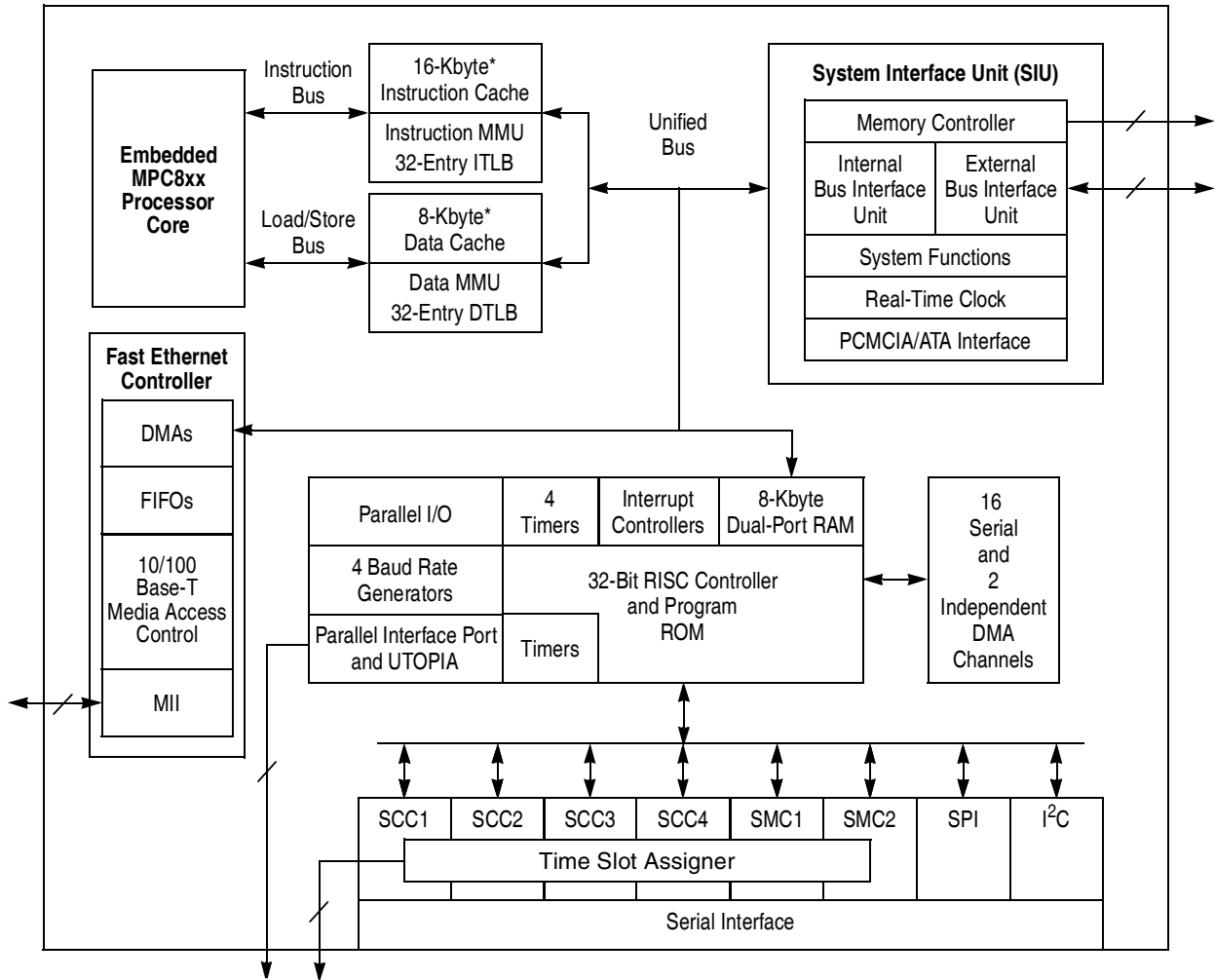
- System integration unit (SIU)
 - Bus monitor
 - Software watchdog
 - Periodic interrupt timer (PIT)
 - Low-power stop mode
 - Clock synthesizer
 - Decrementer, time base, and real-time clock (RTC) from the PowerPC architecture
 - Reset controller
 - IEEE 1149.1 test access port (JTAG)
- Interrupts
 - Seven external interrupt request (IRQ) lines
 - 12 port pins with interrupt capability
 - The MPC862P and MPC862T have 23 internal interrupt sources; the MPC857T and MPC857DSL have 20 internal interrupt sources
 - Programmable priority between SCCs (MPC862P and MPC862T)
 - Programmable highest priority request
- Communications processor module (CPM)
 - RISC controller
 - Communication-specific commands (for example, GRACEFUL STOP TRANSMIT, ENTER HUNT MODE, and RESTART TRANSMIT)
 - Supports continuous mode transmission and reception on all serial channels
 - Up to 8-Kbytes of dual-port RAM
 - The MPC862P and MPC862T have 16 serial DMA (SDMA) channels; the MPC857T and MPC857DSL have 10 serial DMA (SDMA) channels
 - Three parallel I/O registers with open-drain capability
- Four baud rate generators
 - Independent (can be connected to any SCC or SMC)
 - Allow changes during operation
 - Autobaud support option
- The MPC862P and MPC862T have four SCCs (serial communication controller) The MPC857T and MPC857DSL have one SCC, SCC1; the MPC857DSL supports ethernet only
 - Serial ATM capability on all SCCs
 - Optional UTOPIA port on SCC4
 - Ethernet/IEEE 802.3 optional on SCC1–4, supporting full 10-Mbps operation
 - HDLC/SDLC
 - HDLC bus (implements an HDLC-based local area network (LAN))
 - Asynchronous HDLC to support PPP (point-to-point protocol)
 - AppleTalk

- Universal asynchronous receiver transmitter (UART)
- Synchronous UART
- Serial infrared (IrDA)
- Binary synchronous communication (BISYNC)
- Totally transparent (bit streams)
- Totally transparent (frame based with optional cyclic redundancy check (CRC))
- Two SMCs (serial management channels) (The MPC857DSL has one SMC, SMC1 for UART)
 - UART
 - Transparent
 - General circuit interface (GCI) controller
 - Can be connected to the time-division multiplexed (TDM) channels
- One serial peripheral interface (SPI)
 - Supports master and slave modes
 - Supports multiple-master operation on the same bus
- One inter-integrated circuit (I²C) port
 - Supports master and slave modes
 - Multiple-master environment support
- Time-slot assigner (TSA) (The MPC857DSL does not have the TSA)
 - Allows SCCs and SMCs to run in multiplexed and/or non-multiplexed operation
 - Supports T1, CEPT, PCM highway, ISDN basic rate, ISDN primary rate, user defined
 - 1- or 8-bit resolution
 - Allows independent transmit and receive routing, frame synchronization, clocking
 - Allows dynamic changes
 - On the MPC862P and MPC862T, can be internally connected to six serial channels (four SCCs and two SMCs); on the MPC857T, can be connected to three serial channels (one SCC and two SMCs)
- Parallel interface port (PIP)
 - Centronics interface support
 - Supports fast connection between compatible ports on MPC862/857T/857DSL or MC68360
- PCMCIA interface
 - Master (socket) interface, release 2.1 compliant
 - Supports one or two PCMCIA sockets dependent upon whether ESAR functionality is enabled
 - 8 memory or I/O windows supported
- Low power support
 - Full on—All units fully powered
 - Doze—Core functional units disabled except time base decremter, PLL, memory controller, RTC, and CPM in low-power standby

Features

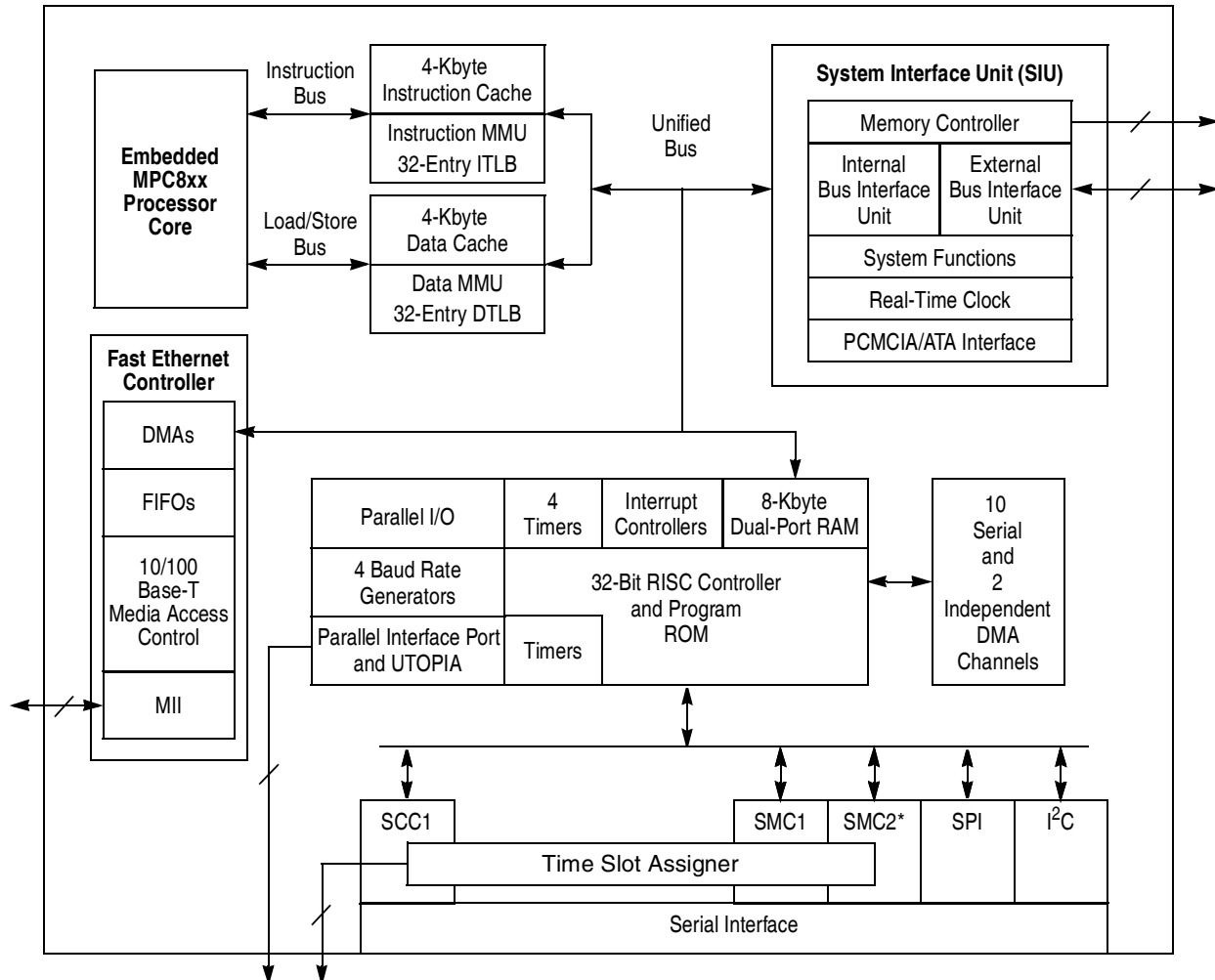
- Sleep—All units disabled except RTC, PIT, time base, and decremter with PLL active for fast wake up
- Deep sleep—All units disabled including PLL except RTC, PIT, time base, and decremter.
- Power down mode— All units powered down except PLL, RTC, PIT, time base and decremter
- Debug interface
 - Eight comparators: four operate on instruction address, two operate on data address, and two operate on data
 - Supports conditions: = ≠ < >
 - Each watchpoint can generate a break point internally
- 3.3 V operation with 5-V TTL compatibility except EXTAL and EXTCLK
- 357-pin plastic ball grid array (PBGA) package
- Operation up to 100MHz

The MPC862/857T/857DSL is comprised of three modules that each use the 32-bit internal bus: the MPC8xx core, the system integration unit (SIU), and the communication processor module (CPM). The MPC862P/862T block diagram is shown in [Figure 1](#). The MPC857T/857DSL block diagram is shown in [Figure 2](#).



*The MPC862T contains 4-Kbyte instruction cache and 4-Kbyte data cache.

Figure 1. MPC862P/862T Block Diagram



*The MPC857DSL does not contain SMC2 nor the Time Slot Assigner, and provides eight SDMA controllers.

Figure 2. MPC857T/MPC857DSL Block Diagram

3 Maximum Tolerated Ratings

This section provides the maximum tolerated voltage and temperature ranges for the MPC862/857T/857DSL. Table 2 provides the maximum ratings.

Table 2. Maximum Tolerated Ratings
(GND = 0 V)

| Rating | Symbol | Value | Unit | Max Freq (MHz) |
|-----------------------------|--------|-------------|------|----------------|
| Supply voltage ¹ | VDDH | -0.3 to 4.0 | V | - |
| | VDDL | -0.3 to 4.0 | V | - |
| | KAPWR | -0.3 to 4.0 | V | - |
| | VDDSYN | -0.3 to 4.0 | V | - |

Table 2. Maximum Tolerated Ratings (continued)

(GND = 0 V)

| Rating | Symbol | Value | Unit | Max Freq (MHz) |
|--|---------------------|-----------------|------|----------------|
| Input voltage ² | V _{in} | GND-0.3 to VDDH | V | - |
| Temperature ³ (standard) ⁴ | T _{A(min)} | 0 | °C | 100 |
| | T _{j(max)} | 105 | °C | 100 |
| Temperature ³ (extended) | T _{A(min)} | -40 | °C | 80 |
| | T _{j(max)} | 115 | °C | 80 |
| Storage temperature range | T _{stg} | -55 to +150 | °C | - |

¹ The power supply of the device must start its ramp from 0.0 V.

² Functional operating conditions are provided with the DC electrical specifications in [Table 5](#). Absolute maximum ratings are stress ratings only; functional operation at the maxima is not guaranteed. Stress beyond those listed may affect device reliability or cause permanent damage to the device.

Caution: All inputs that tolerate 5 V cannot be more than 2.5 V greater than the supply voltage. This restriction applies to power-up and normal operation (that is, if the MPC862/857T/857DSL is unpowered, voltage greater than 2.5 V must not be applied to its inputs).

³ Minimum temperatures are guaranteed as ambient temperature, T_A. Maximum temperatures are guaranteed as junction temperature, T_j.

⁴ JTAG is tested only at ambient, not at standard maximum or extended maximum.

This device contains circuitry protecting against damage due to high-static voltage or electrical fields; however, it is advised that normal precautions be taken to avoid application of any voltages higher than maximum-rated voltages to this high-impedance circuit. Reliability of operation is enhanced if unused inputs are tied to an appropriate logic voltage level (for example, either GND or V_{CC}).

4 Thermal Characteristics

Table 3 shows the thermal characteristics for the MPC862/857T/857DSL.

Table 3. MPC862/857T/857DSL Thermal Resistance Data

| Rating | Environment | | Symbol | Value | Unit |
|--------------------------------------|-----------------------|-------------------------|-------------------------------|-------|------|
| Junction to ambient ¹ | Natural Convection | Single layer board (1s) | $R_{\theta JA}$ ² | 37 | °C/W |
| | | Four layer board (2s2p) | $R_{\theta JMA}$ ³ | 23 | |
| | Air flow (200 ft/min) | Single layer board (1s) | $R_{\theta JMA}$ ³ | 30 | |
| | | Four layer board (2s2p) | $R_{\theta JMA}$ ³ | 19 | |
| Junction to board ⁴ | | | $R_{\theta JB}$ | 13 | |
| Junction to case ⁵ | | | $R_{\theta JC}$ | 6 | |
| Junction to package top ⁶ | Natural Convection | | Ψ_{JT} | 2 | |
| | Air flow (200 ft/min) | | Ψ_{JT} | 2 | |

¹ Junction temperature is a function of on-chip power dissipation, package thermal resistance, mounting site (board) temperature, ambient temperature, air flow, power dissipation of other components on the board, and board thermal resistance.

² Per SEMI G38-87 and JEDEC JESD51-2 with the single layer board horizontal.

³ Per JEDEC JESD51-6 with the board horizontal.

⁴ Thermal resistance between the die and the printed circuit board per JEDEC JESD51-8. Board temperature is measured on the top surface of the board near the package.

⁵ Indicates the average thermal resistance between the die and the case top surface as measured by the cold plate method (MIL SPEC-883 Method 1012.1) with the cold plate temperature used for the case temperature. For exposed pad packages where the pad would be expected to be soldered, junction to case thermal resistance is a simulated value from the junction to the exposed pad without contact resistance.

⁶ Thermal characterization parameter indicating the temperature difference between package top and the junction temperature per JEDEC JESD51-2.

5 Power Dissipation

Table 4 provides power dissipation information. The modes are 1:1, where CPU and bus speeds are equal, and 2:1 mode, where CPU frequency is twice bus speed.

Table 4. Power Dissipation (P_D)

| Die Revision | Frequency | Typical ¹ | Maximum ² | Unit |
|------------------------|-----------|----------------------|----------------------|------|
| 0 (1:1 Mode) | 50 MHz | 656 | 735 | mW |
| | 66 MHz | TBD | TBD | mW |
| A.1, B.0 (1:1 Mode) | 50 MHz | 630 | 760 | mW |
| | 66 MHz | 890 | 1000 | mW |

Table 4. Power Dissipation (P_D) (continued)

| Die Revision | Frequency | Typical ¹ | Maximum ² | Unit |
|------------------------|-----------|----------------------|----------------------|------|
| A.1, B.0 (2:1 Mode) | 66 MHz | 910 | 1060 | mW |
| | 80 MHz | 1.06 | 1.20 | W |
| B.0 (2:1 Mode) | 100 MHz | 1.35 | 1.54 | W |

¹ Typical power dissipation is measured at 3.3 V.

² Maximum power dissipation is measured at 3.5 V.

NOTE

Values in Table 4 represent VDDL based power dissipation and do not include I/O power dissipation over VDDH. I/O power dissipation varies widely by application due to buffer current, depending on external circuitry.

6 DC Characteristics

Table 5 provides the DC electrical characteristics for the MPC862/857T/857DSL.

Table 5. DC Electrical Specifications

| Characteristic | Symbol | Min | Max | Unit |
|--|--|------------|---------|------|
| Operating voltage | VDDH, VDDL, KAPWR, VDDSYN | 3.135 | 3.465 | V |
| | KAPWR (power-down mode) | 2.0 | 3.6 | V |
| | KAPWR (all other operating modes) | VDDH – 0.4 | VDDH | V |
| Input High Voltage (all inputs except EXTAL and EXTCLK) | VIH | 2.0 | 5.5 | V |
| Input Low Voltage ¹ | VIL | GND | 0.8 | V |
| EXTAL, EXTCLK Input High Voltage | VIHC | 0.7*(VCC) | VCC+0.3 | V |
| Input Leakage Current, Vin = 5.5 V (Except TMS, $\overline{\text{TRST}}$, DSCK and DSDI pins) | I _{in} | — | 100 | μA |
| Input Leakage Current, Vin = 3.6 V (Except TMS, $\overline{\text{TRST}}$, DSCK, and DSDI) | I _{in} | — | 10 | μA |
| Input Leakage Current, Vin = 0 V (Except TMS, $\overline{\text{TRST}}$, DSCK, and DSDI pins) | I _{in} | — | 10 | μA |
| Input Capacitance ² | C _{in} | — | 20 | pF |
| Output High Voltage, IOH = -2.0 mA, VDDH = 3.0 V (Except XTAL, XFC, and Open drain pins) | VOH | 2.4 | — | V |

Table 5. DC Electrical Specifications (continued)

| Characteristic | Symbol | Min | Max | Unit |
|---|--------|-----|-----|------|
| Output Low Voltage IOL = 2.0 mA (CLKOUT) IOL = 3.2 mA ³ IOL = 5.3 mA ⁴ IOL = 7.0 mA (TXD1/PA14, TXD2/PA12) IOL = 8.9 mA (\overline{TS} , \overline{TA} , \overline{TEA} , \overline{BI} , \overline{BB} , \overline{HRESET} , \overline{SRESET}) | VOL | — | 0.5 | V |

¹ $V_{IL}(\text{max})$ for the I²C interface is 0.8 V rather than the 1.5 V as specified in the I²C standard.

² Input capacitance is periodically sampled.

³ A(0:31), $\overline{TSIZ0}/\overline{REG}$, $\overline{TSIZ1}$, D(0:31), DP(0:3)/ \overline{IRQ} (3:6), $\overline{RD}/\overline{WR}$, \overline{BURST} , $\overline{RSV}/\overline{IRQ2}$, $\overline{IP_B}(0:1)/\overline{IWP}(0:1)/\overline{VFLS}(0:1)$, $\overline{IP_B2}/\overline{IOIS16_B}/\overline{AT2}$, $\overline{IP_B3}/\overline{IWP2}/\overline{VF2}$, $\overline{IP_B4}/\overline{LWP0}/\overline{VF0}$, $\overline{IP_B5}/\overline{LWP1}/\overline{VF1}$, $\overline{IP_B6}/\overline{DSDI}/\overline{AT0}$, $\overline{IP_B7}/\overline{PTR}/\overline{AT3}$, $\overline{RXD1}/\overline{PA15}$, $\overline{RXD2}/\overline{PA13}$, $\overline{L1TXDB}/\overline{PA11}$, $\overline{L1RXDB}/\overline{PA10}$, $\overline{L1TXDA}/\overline{PA9}$, $\overline{L1RXDA}/\overline{PA8}$, $\overline{TIN1}/\overline{L1RCLKA}/\overline{BRGO1}/\overline{CLK1}/\overline{PA7}$, $\overline{BRGCLK1}/\overline{TOUT1}/\overline{CLK2}/\overline{PA6}$, $\overline{TIN2}/\overline{L1TCLKA}/\overline{BRGO2}/\overline{CLK3}/\overline{PA5}$, $\overline{TOUT2}/\overline{CLK4}/\overline{PA4}$, $\overline{TIN3}/\overline{BRGO3}/\overline{CLK5}/\overline{PA3}$, $\overline{BRGCLK2}/\overline{L1RCLKB}/\overline{TOUT3}/\overline{CLK6}/\overline{PA2}$, $\overline{TIN4}/\overline{BRGO4}/\overline{CLK7}/\overline{PA1}$, $\overline{L1TCLKB}/\overline{TOUT4}/\overline{CLK8}/\overline{PA0}$, $\overline{REJECT1}/\overline{SPISEL}/\overline{PB31}$, $\overline{SPICLK}/\overline{PB30}$, $\overline{SPIMOSI}/\overline{PB29}$, $\overline{BRGO4}/\overline{SPIMISO}/\overline{PB28}$, $\overline{BRGO1}/\overline{I2CSDA}/\overline{PB27}$, $\overline{BRGO2}/\overline{I2CSCL}/\overline{PB26}$, $\overline{SMTXD1}/\overline{PB25}$, $\overline{SMRXD1}/\overline{PB24}$, $\overline{SMSYN1}/\overline{SDACK1}/\overline{PB23}$, $\overline{SMSYN2}/\overline{SDACK2}/\overline{PB22}$, $\overline{SMTXD2}/\overline{L1CLKOB}/\overline{PB21}$, $\overline{SMRXD2}/\overline{L1CLKOA}/\overline{PB20}$, $\overline{L1ST1}/\overline{RTS1}/\overline{PB19}$, $\overline{L1ST2}/\overline{RTS2}/\overline{PB18}$, $\overline{L1ST3}/\overline{L1RQB}/\overline{PB17}$, $\overline{L1ST4}/\overline{L1RQA}/\overline{PB16}$, $\overline{BRGO3}/\overline{PB15}$, $\overline{RSTRT1}/\overline{PB14}$, $\overline{L1ST1}/\overline{RTS1}/\overline{DREQ0}/\overline{PC15}$, $\overline{L1ST2}/\overline{RTS2}/\overline{DREQ1}/\overline{PC14}$, $\overline{L1ST3}/\overline{L1RQB}/\overline{PC13}$, $\overline{L1ST4}/\overline{L1RQA}/\overline{PC12}$, $\overline{CTS1}/\overline{PC11}$, $\overline{TGATE1}/\overline{CD1}/\overline{PC10}$, $\overline{CTS2}/\overline{PC9}$, $\overline{TGATE2}/\overline{CD2}/\overline{PC8}$, $\overline{CTS3}/\overline{SDACK2}/\overline{L1TSYNCA}/\overline{PC7}$, $\overline{CD3}/\overline{L1RSYNCA}/\overline{PC6}$, $\overline{CTS4}/\overline{SDACK1}/\overline{L1TSYNCA}/\overline{PC5}$, $\overline{CD4}/\overline{L1RSYNCA}/\overline{PC4}$, $\overline{PD15}/\overline{L1TSYNCA}$, $\overline{PD14}/\overline{L1RSYNCA}$, $\overline{PD13}/\overline{L1TSYNCA}$, $\overline{PD12}/\overline{L1RSYNCA}$, $\overline{PD11}/\overline{RXD3}$, $\overline{PD10}/\overline{TXD3}$, $\overline{PD9}/\overline{RXD4}$, $\overline{PD8}/\overline{TXD4}$, $\overline{PD5}/\overline{REJECT2}$, $\overline{PD6}/\overline{RTS4}$, $\overline{PD7}/\overline{RTS3}$, $\overline{PD4}/\overline{REJECT3}$, $\overline{PD3}$, $\overline{MII_MDC}$, $\overline{MII_TX_ER}$, $\overline{MII_EN}$, $\overline{MII_MDIO}$, $\overline{MII_TXD}[0:3]$.

⁴ $\overline{BDIP}/\overline{GPL_B}(5)$, \overline{BR} , \overline{BG} , $\overline{FRZ}/\overline{IRQ6}$, $\overline{CS}(0:5)$, $\overline{CS}(6)/\overline{CE}(1)_B$, $\overline{CS}(7)/\overline{CE}(2)_B$, $\overline{WE0}/\overline{BS_B0}/\overline{IORD}$, $\overline{WE1}/\overline{BS_B1}/\overline{IOWR}$, $\overline{WE2}/\overline{BS_B2}/\overline{PCOE}$, $\overline{WE3}/\overline{BS_B3}/\overline{PCWE}$, $\overline{BS_A}(0:3)$, $\overline{GPL_A0}/\overline{GPL_B0}$, $\overline{OE}/\overline{GPL_A1}/\overline{GPL_B1}$, $\overline{GPL_A}(2:3)/\overline{GPL_B}(2:3)/\overline{CS}(2:3)$, $\overline{UPWAITA}/\overline{GPL_A4}$, $\overline{UPWAITB}/\overline{GPL_B4}$, $\overline{GPL_A5}$, $\overline{ALE_A}$, $\overline{CE1_A}$, $\overline{CE2_A}$, $\overline{ALE_B}/\overline{DSCK}/\overline{AT1}$, $\overline{OP}(0:1)$, $\overline{OP2}/\overline{MODCK1}/\overline{STS}$, $\overline{OP3}/\overline{MODCK2}/\overline{DSDO}$, $\overline{BADDR}(28:30)$.

7 Thermal Calculation and Measurement

For the following discussions, $P_D = (V_{DD} \times I_{DD}) + P_{I/O}$, where $P_{I/O}$ is the power dissipation of the I/O drivers.

7.1 Estimation with Junction-to-Ambient Thermal Resistance

An estimation of the chip junction temperature, T_J , in °C can be obtained from the equation:

$$T_J = T_A + (R_{\theta JA} \times P_D)$$

where:

T_A = ambient temperature (°C)

$R_{\theta JA}$ = package junction-to-ambient thermal resistance (°C/W)

P_D = power dissipation in package

The junction-to-ambient thermal resistance is an industry standard value which provides a quick and easy estimation of thermal performance. However, the answer is only an estimate; test cases have demonstrated that errors of a factor of two (in the quantity $T_J - T_A$) are possible.

7.2 Estimation with Junction-to-Case Thermal Resistance

Historically, the thermal resistance has frequently been expressed as the sum of a junction-to-case thermal resistance and a case-to-ambient thermal resistance:

$$R_{\theta JA} = R_{\theta JC} + R_{\theta CA}$$

where:

$R_{\theta JA}$ = junction-to-ambient thermal resistance ($^{\circ}\text{C}/\text{W}$)

$R_{\theta JC}$ = junction-to-case thermal resistance ($^{\circ}\text{C}/\text{W}$)

$R_{\theta CA}$ = case-to-ambient thermal resistance ($^{\circ}\text{C}/\text{W}$)

$R_{\theta JC}$ is device related and cannot be influenced by the user. The user adjusts the thermal environment to affect the case-to-ambient thermal resistance, $R_{\theta CA}$. For instance, the user can change the air flow around the device, add a heat sink, change the mounting arrangement on the printed circuit board, or change the thermal dissipation on the printed circuit board surrounding the device. This thermal model is most useful for ceramic packages with heat sinks where some 90% of the heat flows through the case and the heat sink to the ambient environment. For most packages, a better model is required.

7.3 Estimation with Junction-to-Board Thermal Resistance

A simple package thermal model which has demonstrated reasonable accuracy (about 20%) is a two resistor model consisting of a junction-to-board and a junction-to-case thermal resistance. The junction-to-case covers the situation where a heat sink is used or where a substantial amount of heat is dissipated from the top of the package. The junction-to-board thermal resistance describes the thermal performance when most of the heat is conducted to the printed circuit board. It has been observed that the thermal performance of most plastic packages and especially PBGA packages is strongly dependent on the board temperature; see [Figure 3](#).

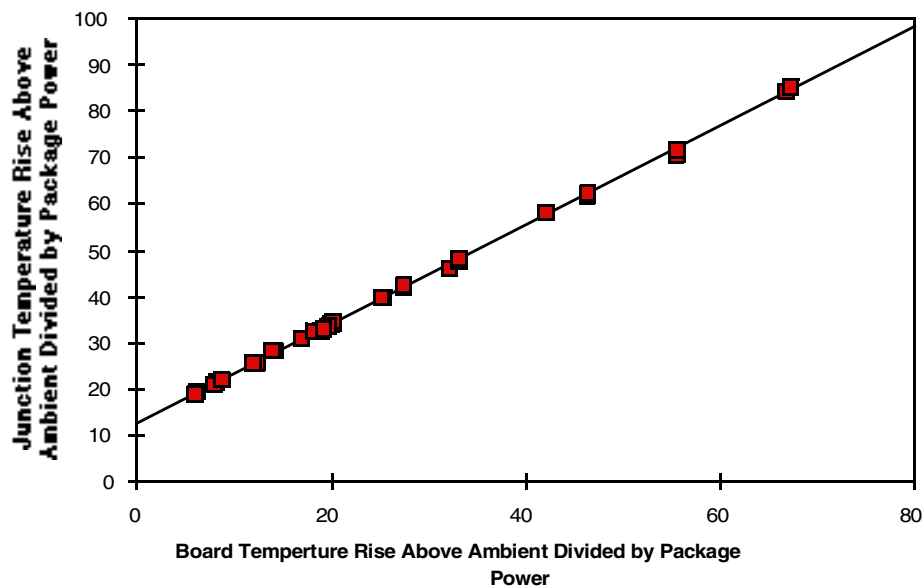


Figure 3. Effect of Board Temperature Rise on Thermal Behavior

If the board temperature is known, an estimate of the junction temperature in the environment can be made using the following equation:

$$T_J = T_B + (R_{\theta JB} \times P_D)$$

where:

$R_{\theta JB}$ = junction-to-board thermal resistance (°C/W)

T_B = board temperature (°C)

P_D = power dissipation in package

If the board temperature is known and the heat loss from the package case to the air can be ignored, acceptable predictions of junction temperature can be made. For this method to work, the board and board mounting must be similar to the test board used to determine the junction-to-board thermal resistance, namely a 2s2p (board with a power and a ground plane) and vias attaching the thermal balls to the ground plane.

7.4 Estimation Using Simulation

When the board temperature is not known, a thermal simulation of the application is needed. The simple two resistor model can be used with the thermal simulation of the application [2], or a more accurate and complex model of the package can be used in the thermal simulation.

7.5 Experimental Determination

To determine the junction temperature of the device in the application after prototypes are available, the thermal characterization parameter (Ψ_{JT}) can be used to determine the junction temperature with a measurement of the temperature at the top center of the package case using the following equation:

$$T_J = T_T + (\Psi_{JT} \times P_D)$$

where:

Ψ_{JT} = thermal characterization parameter

T_T = thermocouple temperature on top of package

P_D = power dissipation in package

The thermal characterization parameter is measured per JESD51-2 specification published by JEDEC using a 40-gauge type T thermocouple epoxied to the top center of the package case. The thermocouple should be positioned so that the thermocouple junction rests on the package. A small amount of epoxy is placed over the thermocouple junction and over about 1 mm of wire extending from the junction. The thermocouple wire is placed flat against the package case to avoid measurement errors caused by cooling effects of the thermocouple wire.

7.6 References

Semiconductor Equipment and Materials International
805 East Middlefield Rd.
Mountain View, CA 94043

(415) 964-5111

MIL-SPEC and EIA/JESD (JEDEC) Specifications
(Available from Global Engineering Documents)

800-854-7179 or
303-397-7956

JEDEC Specifications

<http://www.jedec.org>

1. C.E. Triplett and B. Joiner, "An Experimental Characterization of a 272 PBGA Within an Automotive Engine Controller Module," Proceedings of SemiTherm, San Diego, 1998, pp. 47-54.
2. B. Joiner and V. Adams, "Measurement and Simulation of Junction to Board Thermal Resistance and Its Application in Thermal Modeling," Proceedings of SemiTherm, San Diego, 1999, pp. 212-220.

8 Layout Practices

Each V_{CC} pin on the MPC862/857T/857DSL should be provided with a low-impedance path to the board's supply. Each GND pin should likewise be provided with a low-impedance path to ground. The power supply pins drive distinct groups of logic on chip. The V_{CC} power supply should be bypassed to ground using at least four 0.1 μ F by-pass capacitors located as close as possible to the four sides of the package. The capacitor leads and associated printed circuit traces connecting to chip V_{CC} and GND should be kept to less than half an inch per capacitor lead. A four-layer board is recommended, employing two inner layers as V_{CC} and GND planes.

All output pins on the MPC862/857T/857DSL have fast rise and fall times. Printed circuit (PC) trace interconnection length should be minimized in order to minimize undershoot and reflections caused by these fast output switching times. This recommendation particularly applies to the address and data busses. Maximum PC trace lengths of six inches are recommended. Capacitance calculations should consider all device loads as well as parasitic capacitances due to the PC traces. Attention to proper PCB layout and bypassing becomes especially critical in systems with higher capacitive loads because these loads create higher transient currents in the V_{CC} and GND circuits. Pull up all unused inputs or signals that will be inputs during reset. Special care should be taken to minimize the noise levels on the PLL supply pins.

9 Bus Signal Timing

The maximum bus speed supported by the MPC862/857T/857DSL is 66 MHz. Higher-speed parts must be operated in half-speed bus mode (for example, an MPC862/857T/857DSL used at 80MHz must be configured for a 40 MHz bus). [Table 6](#) shows the period ranges for standard part frequencies.

Table 6. Period Range for Standard Part Frequencies

| Freq | 50 MHz | | 66 MHz | | 80 MHz | | 100 MHz | |
|--------|--------|-------|--------|-------|--------|-------|---------|-------|
| | Min | Max | Min | Max | Min | Max | Min | Max |
| Period | 20.00 | 30.30 | 15.15 | 30.30 | 25.00 | 30.30 | 20.00 | 30.30 |

Table 7 provides the bus operation timing for the MPC862/857T/857DSL at 33 MHz, 40 Mhz, 50 MHz and 66 Mhz.

The timing for the MPC862/857T/857DSL bus shown assumes a 50-pF load for maximum delays and a 0-pF load for minimum delays.

Table 7. Bus Operation Timings

| Num | Characteristic | 33 MHz | | 40 MHz | | 50 MHz | | 66 MHz | | Unit |
|------------------|--|--------|-------|--------|-------|--------|-------|--------|-------|------|
| | | Min | Max | Min | Max | Min | Max | Min | Max | |
| B1 | CLKOUT period | 30.30 | 30.30 | 25.00 | 30.30 | 20.00 | 30.30 | 15.15 | 30.30 | ns |
| B1a | EXTCLK to CLKOUT phase skew (EXTCLK > 15 MHz and MF <= 2) | -0.90 | 0.90 | -0.90 | 0.90 | -0.90 | 0.90 | -0.90 | 0.90 | ns |
| B1b | EXTCLK to CLKOUT phase skew (EXTCLK > 10 MHz and MF < 10) | -2.30 | 2.30 | -2.30 | 2.30 | -2.30 | 2.30 | -2.30 | 2.30 | ns |
| B1c | CLKOUT phase jitter (EXTCLK > 15 MHz and MF <= 2) ¹ | -0.60 | 0.60 | -0.60 | 0.60 | -0.60 | 0.60 | -0.60 | 0.60 | ns |
| B1d | CLKOUT phase jitter ¹ | -2.00 | 2.00 | -2.00 | 2.00 | -2.00 | 2.00 | -2.00 | 2.00 | ns |
| B1e | CLKOUT frequency jitter (MF < 10) ¹ | — | 0.50 | — | 0.50 | — | 0.50 | — | 0.50 | % |
| B1f | CLKOUT frequency jitter (10 < MF < 500) ¹ | — | 2.00 | — | 2.00 | — | 2.00 | — | 2.00 | % |
| B1g | CLKOUT frequency jitter (MF > 500) ¹ | — | 3.00 | — | 3.00 | — | 3.00 | — | 3.00 | % |
| B1h | Frequency jitter on EXTCLK ² | — | 0.50 | — | 0.50 | — | 0.50 | — | 0.50 | % |
| B2 | CLKOUT pulse width low (MIN = 0.040 x B1) | 12.10 | — | 10.00 | — | 8.00 | — | 6.10 | — | ns |
| B3 | CLKOUT width high (MIN = 0.040 x B1) | 12.10 | — | 10.00 | — | 8.00 | — | 6.10 | — | ns |
| B4 | CLKOUT rise time ³ (MAX = 0.00 x B1 + 4.00) | — | 4.00 | — | 4.00 | — | 4.00 | — | 4.00 | ns |
| B5 ³³ | CLKOUT fall time ³ (MAX = 0.00 x B1 + 4.00) | — | 4.00 | — | 4.00 | — | 4.00 | — | 4.00 | ns |
| B7 | CLKOUT to A(0:31), BADDR(28:30), RD/WR, BURST, D(0:31), DP(0:3) invalid (MIN = 0.25 x B1) | 7.60 | — | 6.30 | — | 5.00 | — | 3.80 | — | ns |
| B7a | CLKOUT to TSIZ(0:1), REG, RSV, AT(0:3), BDIP, PTR invalid (MIN = 0.25 x B1) | 7.60 | — | 6.30 | — | 5.00 | — | 3.80 | — | ns |
| B7b | CLKOUT to BR, BG, FRZ, VFLS(0:1), VF(0:2) IWP(0:2), LWP(0:1), STS invalid ⁴ (MIN = 0.25 x B1) | 7.60 | — | 6.30 | — | 5.00 | — | 3.80 | — | ns |
| B8 | CLKOUT to A(0:31), BADDR(28:30) RD/WR, BURST, D(0:31), DP(0:3) valid (MAX = 0.25 x B1 + 6.3) | 7.60 | 13.80 | 6.30 | 12.50 | 5.00 | 11.30 | 3.80 | 10.00 | ns |

Table 7. Bus Operation Timings (continued)

| Num | Characteristic | 33 MHz | | 40 MHz | | 50 MHz | | 66 MHz | | Unit |
|------|---|--------|-------|--------|-------|--------|-------|--------|-------|------|
| | | Min | Max | Min | Max | Min | Max | Min | Max | |
| B8a | CLKOUT to TSIZ(0:1), $\overline{\text{REG}}$, $\overline{\text{RSV}}$, AT(0:3) $\overline{\text{BDIP}}$, PTR valid (MAX = 0.25 x B1 + 6.3) | 7.60 | 13.80 | 6.30 | 12.50 | 5.00 | 11.30 | 3.80 | 10.00 | ns |
| B8b | CLKOUT to $\overline{\text{BR}}$, $\overline{\text{BG}}$, VFLS(0:1), VF(0:2), IWP(0:2), FRZ, LWP(0:1), STS Valid ⁴ (MAX = 0.25 x B1 + 6.3) | 7.60 | 13.80 | 6.30 | 12.50 | 5.00 | 11.30 | 3.80 | 10.00 | ns |
| B9 | CLKOUT to A(0:31), BADDR(28:30), RD/ $\overline{\text{WR}}$, BURST, D(0:31), DP(0:3), TSIZ(0:1), $\overline{\text{REG}}$, $\overline{\text{RSV}}$, AT(0:3), PTR High-Z (MAX = 0.25 x B1 + 6.3) | 7.60 | 13.80 | 6.30 | 12.50 | 5.00 | 11.30 | 3.80 | 10.00 | ns |
| B11 | CLKOUT to $\overline{\text{TS}}$, $\overline{\text{BB}}$ assertion (MAX = 0.25 x B1 + 6.0) | 7.60 | 13.60 | 6.30 | 12.30 | 5.00 | 11.00 | 3.80 | 11.30 | ns |
| B11a | CLKOUT to $\overline{\text{TA}}$, $\overline{\text{BI}}$ assertion (when driven by the memory controller or PCMCIA interface) (MAX = 0.00 x B1 + 9.30 ⁵) | 2.50 | 9.30 | 2.50 | 9.30 | 2.50 | 9.30 | 2.50 | 9.80 | ns |
| B12 | CLKOUT to $\overline{\text{TS}}$, $\overline{\text{BB}}$ negation (MAX = 0.25 x B1 + 4.8) | 7.60 | 12.30 | 6.30 | 11.00 | 5.00 | 9.80 | 3.80 | 8.50 | ns |
| B12a | CLKOUT to $\overline{\text{TA}}$, $\overline{\text{BI}}$ negation (when driven by the memory controller or PCMCIA interface) (MAX = 0.00 x B1 + 9.00) | 2.50 | 9.00 | 2.50 | 9.00 | 2.50 | 9.00 | 2.50 | 9.00 | ns |
| B13 | CLKOUT to $\overline{\text{TS}}$, $\overline{\text{BB}}$ High-Z (MIN = 0.25 x B1) | 7.60 | 21.60 | 6.30 | 20.30 | 5.00 | 19.00 | 3.80 | 14.00 | ns |
| B13a | CLKOUT to $\overline{\text{TA}}$, $\overline{\text{BI}}$ High-Z (when driven by the memory controller or PCMCIA interface) (MIN = 0.00 x B1 + 2.5) | 2.50 | 15.00 | 2.50 | 15.00 | 2.50 | 15.00 | 2.50 | 15.00 | ns |
| B14 | CLKOUT to $\overline{\text{TEA}}$ assertion (MAX = 0.00 x B1 + 9.00) | 2.50 | 9.00 | 2.50 | 9.00 | 2.50 | 9.00 | 2.50 | 9.00 | ns |
| B15 | CLKOUT to $\overline{\text{TEA}}$ High-Z (MIN = 0.00 x B1 + 2.50) | 2.50 | 15.00 | 2.50 | 15.00 | 2.50 | 15.00 | 2.50 | 15.00 | ns |
| B16 | $\overline{\text{TA}}$, $\overline{\text{BI}}$ valid to CLKOUT (setup time) (MIN = 0.00 x B1 + 6.00) | 6.00 | — | 6.00 | — | 6.00 | — | 6.00 | — | ns |
| B16a | $\overline{\text{TEA}}$, $\overline{\text{KR}}$, $\overline{\text{RETRY}}$, $\overline{\text{CR}}$ valid to CLKOUT (setup time) (MIN = 0.00 x B1 + 4.5) | 4.50 | — | 4.50 | — | 4.50 | — | 4.50 | — | ns |
| B16b | $\overline{\text{BB}}$, $\overline{\text{BG}}$, $\overline{\text{BR}}$, valid to CLKOUT (setup time) ⁶ (4MIN = 0.00 x B1 + 0.00) | 4.00 | — | 4.00 | — | 4.00 | — | 4.00 | — | ns |
| B17 | CLKOUT to $\overline{\text{TA}}$, $\overline{\text{TEA}}$, $\overline{\text{BI}}$, $\overline{\text{BB}}$, $\overline{\text{BG}}$, $\overline{\text{BR}}$ valid (hold time) (MIN = 0.00 x B1 + 1.00 ⁷) | 1.00 | — | 1.00 | — | 1.00 | — | 2.00 | — | ns |

Table 7. Bus Operation Timings (continued)

| Num | Characteristic | 33 MHz | | 40 MHz | | 50 MHz | | 66 MHz | | Unit |
|------|--|--------|-------|--------|-------|--------|-------|--------|-------|------|
| | | Min | Max | Min | Max | Min | Max | Min | Max | |
| B17a | CLKOUT to \overline{KR} , \overline{RETRY} , \overline{CR} valid (hold time) (MIN = 0.00 x B1 + 2.00) | 2.00 | — | 2.00 | — | 2.00 | — | 2.00 | — | ns |
| B18 | D(0:31), DP(0:3) valid to CLKOUT rising edge (setup time) ⁸ (MIN = 0.00 x B1 + 6.00) | 6.00 | — | 6.00 | — | 6.00 | — | 6.00 | — | ns |
| B19 | CLKOUT rising edge to D(0:31), DP(0:3) valid (hold time) ⁸ (MIN = 0.00 x B1 + 1.00 ⁹) | 1.00 | — | 1.00 | — | 1.00 | — | 2.00 | — | ns |
| B20 | D(0:31), DP(0:3) valid to CLKOUT falling edge (setup time) ¹⁰ (MIN = 0.00 x B1 + 4.00) | 4.00 | — | 4.00 | — | 4.00 | — | 4.00 | — | ns |
| B21 | CLKOUT falling edge to D(0:31), DP(0:3) valid (hold Time) ¹⁰ (MIN = 0.00 x B1 + 2.00) | 2.00 | — | 2.00 | — | 2.00 | — | 2.00 | — | ns |
| B22 | CLKOUT rising edge to \overline{CS} asserted GPCM ACS = 00 (MAX = 0.25 x B1 + 6.3) | 7.60 | 13.80 | 6.30 | 12.50 | 5.00 | 11.30 | 3.80 | 10.00 | ns |
| B22a | CLKOUT falling edge to \overline{CS} asserted GPCM ACS = 10, TRLX = 0 (MAX = 0.00 x B1 + 8.00) | — | 8.00 | — | 8.00 | — | 8.00 | — | 8.00 | ns |
| B22b | CLKOUT falling edge to \overline{CS} asserted GPCM ACS = 11, TRLX = 0, EBDF = 0 (MAX = 0.25 x B1 + 6.3) | 7.60 | 13.80 | 6.30 | 12.50 | 5.00 | 11.30 | 3.80 | 10.00 | ns |
| B22c | CLKOUT falling edge to \overline{CS} asserted GPCM ACS = 11, TRLX = 0, EBDF = 1 (MAX = 0.375 x B1 + 6.6) | 10.90 | 18.00 | 10.90 | 18.00 | 7.00 | 14.30 | 5.20 | 12.30 | ns |
| B23 | CLKOUT rising edge to \overline{CS} negated GPCM read access, GPCM write access ACS = 00, TRLX = 0 & CSNT = 0 (MAX = 0.00 x B1 + 8.00) | 2.00 | 8.00 | 2.00 | 8.00 | 2.00 | 8.00 | 2.00 | 8.00 | ns |
| B24 | A(0:31) and BADDR(28:30) to \overline{CS} asserted GPCM ACS = 10, TRLX = 0 (MIN = 0.25 x B1 - 2.00) | 5.60 | — | 4.30 | — | 3.00 | — | 1.80 | — | ns |
| B24a | A(0:31) and BADDR(28:30) to \overline{CS} asserted GPCM ACS = 11 TRLX = 0 (MIN = 0.50 x B1 - 2.00) | 13.20 | — | 10.50 | — | 8.00 | — | 5.60 | — | ns |
| B25 | CLKOUT rising edge to \overline{OE} , \overline{WE} (0:3) asserted (MAX = 0.00 x B1 + 9.00) | — | 9.00 | — | 9.00 | — | 9.00 | — | 9.00 | ns |
| B26 | CLKOUT rising edge to \overline{OE} negated (MAX = 0.00 x B1 + 9.00) | 2.00 | 9.00 | 2.00 | 9.00 | 2.00 | 9.00 | 2.00 | 9.00 | ns |

Table 7. Bus Operation Timings (continued)

| Num | Characteristic | 33 MHz | | 40 MHz | | 50 MHz | | 66 MHz | | Unit |
|------|---|--------|-------|--------|-------|--------|-------|--------|-------|------|
| | | Min | Max | Min | Max | Min | Max | Min | Max | |
| B27 | A(0:31) and BADDR(28:30) to \overline{CS} asserted GPCM ACS = 10, TRLX = 1 (MIN = 1.25 x B1 - 2.00) | 35.90 | — | 29.30 | — | 23.00 | — | 16.90 | — | ns |
| B27a | A(0:31) and BADDR(28:30) to \overline{CS} asserted GPCM ACS = 11, TRLX = 1 (MIN = 1.50 x B1 - 2.00) | 43.50 | — | 35.50 | — | 28.00 | — | 20.70 | — | ns |
| B28 | CLKOUT rising edge to $\overline{WE}(0:3)$ negated GPCM write access CSNT = 0 (MAX = 0.00 x B1 + 9.00) | — | 9.00 | — | 9.00 | — | 9.00 | — | 9.00 | ns |
| B28a | CLKOUT falling edge to $\overline{WE}(0:3)$ negated GPCM write access TRLX = 0, 1, CSNT = 1, EBDF = 0 (MAX = 0.25 x B1 + 6.80) | 7.60 | 14.30 | 6.30 | 13.00 | 5.00 | 11.80 | 3.80 | 10.50 | ns |
| B28b | CLKOUT falling edge to \overline{CS} negated GPCM write access TRLX = 0,1, CSNT = 1 ACS = 10 or ACS = 11, EBDF = 0 (MAX = 0.25 x B1 + 6.80) | — | 14.30 | — | 13.00 | — | 11.80 | — | 10.50 | ns |
| B28c | CLKOUT falling edge to $\overline{WE}(0:3)$ negated GPCM write access TRLX = 0, CSNT = 1 write access TRLX = 0,1, CSNT = 1, EBDF = 1 (MAX = 0.375 x B1 + 6.6) | 10.90 | 18.00 | 10.90 | 18.00 | 7.00 | 14.30 | 5.20 | 12.30 | ns |
| B28d | CLKOUT falling edge to \overline{CS} negated GPCM write access TRLX = 0,1, CSNT = 1, ACS = 10, or ACS = 11, EBDF = 1 (MAX = 0.375 x B1 + 6.6) | — | 18.00 | — | 18.00 | — | 14.30 | — | 12.30 | ns |
| B29 | $\overline{WE}(0:3)$ negated to D(0:31), DP(0:3) High-Z GPCM write access, CSNT = 0, EBDF = 0 (MIN = 0.25 x B1 - 2.00) | 5.60 | — | 4.30 | — | 3.00 | — | 1.80 | — | ns |
| B29a | $\overline{WE}(0:3)$ negated to D(0:31), DP(0:3) High-Z GPCM write access, TRLX = 0, CSNT = 1, EBDF = 0 (MIN = 0.50 x B1 - 2.00) | 13.20 | — | 10.50 | — | 8.00 | — | 5.60 | — | ns |
| B29b | \overline{CS} negated to D(0:31), DP(0:3), High Z GPCM write access, ACS = 00, TRLX = 0,1 & CSNT = 0 (MIN = 0.25 x B1 - 2.00) | 5.60 | — | 4.30 | — | 3.00 | — | 1.80 | — | ns |
| B29c | \overline{CS} negated to D(0:31), DP(0:3) High-Z GPCM write access, TRLX = 0, CSNT = 1, ACS = 10, or ACS = 11 EBDF = 0 (MIN = 0.50 x B1 - 2.00) | 13.20 | — | 10.50 | — | 8.00 | — | 5.60 | — | ns |

Table 7. Bus Operation Timings (continued)

| Num | Characteristic | 33 MHz | | 40 MHz | | 50 MHz | | 66 MHz | | Unit |
|------|--|--------|-----|--------|-----|--------|-----|--------|-----|------|
| | | Min | Max | Min | Max | Min | Max | Min | Max | |
| B29d | $\overline{WE}(0:3)$ negated to D(0:31), DP(0:3) High-Z GPCM write access, TRLX = 1, CSNT = 1, EBDF = 0 (MIN = 1.50 x B1 - 2.00) | 43.50 | — | 35.50 | — | 28.00 | — | 20.70 | — | ns |
| B29e | \overline{CS} negated to D(0:31), DP(0:3) High-Z GPCM write access, TRLX = 1, CSNT = 1, ACS = 10, or ACS = 11 EBDF = 0 (MIN = 1.50 x B1 - 2.00) | 43.50 | — | 35.50 | — | 28.00 | — | 20.70 | — | ns |
| B29f | $\overline{WE}(0:3)$ negated to D(0:31), DP(0:3) High Z GPCM write access, TRLX = 0, CSNT = 1, EBDF = 1 (MIN = 0.375 x B1 - 6.30) | 5.00 | — | 3.00 | — | 1.10 | — | 0.00 | — | ns |
| B29g | \overline{CS} negated to D(0:31), DP(0:3) High-Z GPCM write access, TRLX = 0, CSNT = 1 ACS = 10 or ACS = 11, EBDF = 1 (MIN = 0.375 x B1 - 6.30) | 5.00 | — | 3.00 | — | 1.10 | — | 0.00 | — | ns |
| B29h | $\overline{WE}(0:3)$ negated to D(0:31), DP(0:3) High Z GPCM write access, TRLX = 1, CSNT = 1, EBDF = 1 (MIN = 0.375 x B1 - 3.30) | 38.40 | — | 31.10 | — | 24.20 | — | 17.50 | — | ns |
| B29i | \overline{CS} negated to D(0:31), DP(0:3) High-Z GPCM write access, TRLX = 1, CSNT = 1, ACS = 10 or ACS = 11, EBDF = 1 (MIN = 0.375 x B1 - 3.30) | 38.40 | — | 31.10 | — | 24.20 | — | 17.50 | — | ns |
| B30 | \overline{CS} , $\overline{WE}(0:3)$ negated to A(0:31), BADDR(28:30) Invalid GPCM write access ¹¹ (MIN = 0.25 x B1 - 2.00) | 5.60 | — | 4.30 | — | 3.00 | — | 1.80 | — | ns |
| B30a | $\overline{WE}(0:3)$ negated to A(0:31), BADDR(28:30) Invalid GPCM, write access, TRLX = 0, CSNT = 1, \overline{CS} negated to A(0:31) invalid GPCM write access TRLX = 0, CSNT = 1 ACS = 10, or ACS == 11, EBDF = 0 (MIN = 0.50 x B1 - 2.00) | 13.20 | — | 10.50 | — | 8.00 | — | 5.60 | — | ns |
| B30b | $\overline{WE}(0:3)$ negated to A(0:31) Invalid GPCM BADDR(28:30) invalid GPCM write access, TRLX = 1, CSNT = 1. \overline{CS} negated to A(0:31) Invalid GPCM write access TRLX = 1, CSNT = 1, ACS = 10, or ACS == 11 EBDF = 0 (MIN = 1.50 x B1 - 2.00) | 43.50 | — | 35.50 | — | 28.00 | — | 20.70 | — | ns |

Table 7. Bus Operation Timings (continued)

| Num | Characteristic | 33 MHz | | 40 MHz | | 50 MHz | | 66 MHz | | Unit |
|------|---|--------|-------|--------|-------|--------|-------|--------|-------|------|
| | | Min | Max | Min | Max | Min | Max | Min | Max | |
| B30c | $\overline{WE}(0:3)$ negated to A(0:31), BADDR(28:30) invalid GPCM write access, TRLX = 0, CSNT = 1. \overline{CS} negated to A(0:31) invalid GPCM write access, TRLX = 0, CSNT = 1 ACS = 10, ACS == 11, EBDF = 1 (MIN = 0.375 x B1 - 3.00) | 8.40 | — | 6.40 | — | 4.50 | — | 2.70 | — | ns |
| B30d | $\overline{WE}(0:3)$ negated to A(0:31), BADDR(28:30) invalid GPCM write access TRLX = 1, CSNT = 1, \overline{CS} negated to A(0:31) invalid GPCM write access TRLX = 1, CSNT = 1, ACS = 10 or 11, EBDF = 1 | 38.67 | — | 31.38 | — | 24.50 | — | 17.83 | — | ns |
| B31 | CLKOUT falling edge to \overline{CS} valid - as requested by control bit CST4 in the corresponding word in the UPM (MAX = 0.00 X B1 + 6.00) | 1.50 | 6.00 | 1.50 | 6.00 | 1.50 | 6.00 | 1.50 | 6.00 | ns |
| B31a | CLKOUT falling edge to \overline{CS} valid - as requested by control bit CST1 in the corresponding word in the UPM (MAX = 0.25 x B1 + 6.80) | 7.60 | 14.30 | 6.30 | 13.00 | 5.00 | 11.80 | 3.80 | 10.50 | ns |
| B31b | CLKOUT rising edge to \overline{CS} valid - as requested by control bit CST2 in the corresponding word in the UPM (MAX = 0.00 x B1 + 8.00) | 1.50 | 8.00 | 1.50 | 8.00 | 1.50 | 8.00 | 1.50 | 8.00 | ns |
| B31c | CLKOUT rising edge to \overline{CS} valid- as requested by control bit CST3 in the corresponding word in the UPM (MAX = 0.25 x B1 + 6.30) | 7.60 | 13.80 | 6.30 | 12.50 | 5.00 | 11.30 | 3.80 | 10.00 | ns |
| B31d | CLKOUT falling edge to \overline{CS} valid, as requested by control bit CST1 in the corresponding word in the UPM EBDF = 1 (MAX = 0.375 x B1 + 6.6) | 9.40 | 18.00 | 7.60 | 16.00 | 13.30 | 14.10 | 11.30 | 12.30 | ns |
| B32 | CLKOUT falling edge to \overline{BS} valid- as requested by control bit BST4 in the corresponding word in the UPM (MAX = 0.00 x B1 + 6.00) | 1.50 | 6.00 | 1.50 | 6.00 | 1.50 | 6.00 | 1.50 | 6.00 | ns |
| B32a | CLKOUT falling edge to \overline{BS} valid - as requested by control bit BST1 in the corresponding word in the UPM, EBDF = 0 (MAX = 0.25 x B1 + 6.80) | 7.60 | 14.30 | 6.30 | 13.00 | 5.00 | 11.80 | 3.80 | 10.50 | ns |
| B32b | CLKOUT rising edge to \overline{BS} valid - as requested by control bit BST2 in the corresponding word in the UPM (MAX = 0.00 x B1 + 8.00) | 1.50 | 8.00 | 1.50 | 8.00 | 1.50 | 8.00 | 1.50 | 8.00 | ns |

Table 7. Bus Operation Timings (continued)

| Num | Characteristic | 33 MHz | | 40 MHz | | 50 MHz | | 66 MHz | | Unit |
|------|--|--------|-------|--------|-------|--------|-------|--------|-------|------|
| | | Min | Max | Min | Max | Min | Max | Min | Max | |
| B32c | CLKOUT rising edge to \overline{BS} valid - as requested by control bit BST3 in the corresponding word in the UPM (MAX = 0.25 x B1 + 6.80) | 7.60 | 14.30 | 6.30 | 13.00 | 5.00 | 11.80 | 3.80 | 10.50 | ns |
| B32d | CLKOUT falling edge to \overline{BS} valid- as requested by control bit BST1 in the corresponding word in the UPM, EBDf = 1 (MAX = 0.375 x B1 + 6.60) | 9.40 | 18.00 | 7.60 | 16.00 | 13.30 | 14.10 | 11.30 | 12.30 | ns |
| B33 | CLKOUT falling edge to \overline{GPL} valid - as requested by control bit GxT4 in the corresponding word in the UPM (MAX = 0.00 x B1 + 6.00) | 1.50 | 6.00 | 1.50 | 6.00 | 1.50 | 6.00 | 1.50 | 6.00 | ns |
| B33a | CLKOUT rising edge to \overline{GPL} Valid - as requested by control bit GxT3 in the corresponding word in the UPM (MAX = 0.25 x B1 + 6.80) | 7.60 | 14.30 | 6.30 | 13.00 | 5.00 | 11.80 | 3.80 | 10.50 | ns |
| B34 | A(0:31), BADDR(28:30), and D(0:31) to \overline{CS} valid - as requested by control bit CST4 in the corresponding word in the UPM (MIN = 0.25 x B1 - 2.00) | 5.60 | — | 4.30 | — | 3.00 | — | 1.80 | — | ns |
| B34a | A(0:31), BADDR(28:30), and D(0:31) to \overline{CS} valid - as requested by control bit CST1 in the corresponding word in the UPM (MIN = 0.50 x B1 - 2.00) | 13.20 | — | 10.50 | — | 8.00 | — | 5.60 | — | ns |
| B34b | A(0:31), BADDR(28:30), and D(0:31) to \overline{CS} valid - as requested by CST2 in the corresponding word in UPM (MIN = 0.75 x B1 - 2.00) | 20.70 | — | 16.70 | — | 13.00 | — | 9.40 | — | ns |
| B35 | A(0:31), BADDR(28:30) to \overline{CS} valid - as requested by control bit BST4 in the corresponding word in the UPM (MIN = 0.25 x B1 - 2.00) | 5.60 | — | 4.30 | — | 3.00 | — | 1.80 | — | ns |
| B35a | A(0:31), BADDR(28:30), and D(0:31) to \overline{BS} valid - As Requested by BST1 in the corresponding word in the UPM (MIN = 0.50 x B1 - 2.00) | 13.20 | — | 10.50 | — | 8.00 | — | 5.60 | — | ns |
| B35b | A(0:31), BADDR(28:30), and D(0:31) to \overline{BS} valid - as requested by control bit BST2 in the corresponding word in the UPM (MIN = 0.75 x B1 - 2.00) | 20.70 | — | 16.70 | — | 13.00 | — | 9.40 | — | ns |
| B36 | A(0:31), BADDR(28:30), and D(0:31) to \overline{GPL} valid as requested by control bit GxT4 in the corresponding word in the UPM (MIN = 0.25 x B1 - 2.00) | 5.60 | — | 4.30 | — | 3.00 | — | 1.80 | — | ns |

Table 7. Bus Operation Timings (continued)

| Num | Characteristic | 33 MHz | | 40 MHz | | 50 MHz | | 66 MHz | | Unit |
|-----|---|--------|-----|--------|-----|--------|-----|--------|-----|------|
| | | Min | Max | Min | Max | Min | Max | Min | Max | |
| B37 | UPWAIT valid to CLKOUT falling edge ¹² (MIN = 0.00 x B1 + 6.00) | 6.00 | — | 6.00 | — | 6.00 | — | 6.00 | — | ns |
| B38 | CLKOUT falling edge to UPWAIT valid ¹² (MIN = 0.00 x B1 + 1.00) | 1.00 | — | 1.00 | — | 1.00 | — | 1.00 | — | ns |
| B39 | \overline{AS} valid to CLKOUT rising edge ¹³ (MIN = 0.00 x B1 + 7.00) | 7.00 | — | 7.00 | — | 7.00 | — | 7.00 | — | ns |
| B40 | A(0:31), TSIZ(0:1), RD/ \overline{WR} , \overline{BURST} , valid to CLKOUT rising edge (MIN = 0.00 x B1 + 7.00) | 7.00 | — | 7.00 | — | 7.00 | — | 7.00 | — | ns |
| B41 | \overline{TS} valid to CLKOUT rising edge (setup time) (MIN = 0.00 x B1 + 7.00) | 7.00 | — | 7.00 | — | 7.00 | — | 7.00 | — | ns |
| B42 | CLKOUT rising edge to \overline{TS} valid (hold time) (MIN = 0.00 x B1 + 2.00) | 2.00 | — | 2.00 | — | 2.00 | — | 2.00 | — | ns |
| B43 | \overline{AS} negation to memory controller signals negation (MAX = TBD) | — | TBD | — | TBD | — | TBD | — | TBD | ns |

¹ Phase and frequency jitter performance results are only valid if the input jitter is less than the prescribed value.

² If the rate of change of the frequency of EXTAL is slow (i.e. it does not jump between the minimum and maximum values in one cycle) or the frequency of the jitter is fast (i.e., it does not stay at an extreme value for a long time) then the maximum allowed jitter on EXTAL can be up to 2%.

³ The timings specified in B4 and B5 are based on full strength clock.

⁴ The timing for \overline{BR} output is relevant when the MPC862/857T/857DSL is selected to work with external bus arbiter. The timing for \overline{BG} output is relevant when the MPC862/857T/857DSL is selected to work with internal bus arbiter.

⁵ For part speeds above 50MHz, use 9.80ns for B11a.

⁶ The timing required for \overline{BR} input is relevant when the MPC862/857T/857DSL is selected to work with internal bus arbiter. The timing for \overline{BG} input is relevant when the MPC862/857T/857DSL is selected to work with external bus arbiter.

⁷ For part speeds above 50MHz, use 2ns for B17.

⁸ The D(0:31) and DP(0:3) input timings B18 and B19 refer to the rising edge of the CLKOUT in which the \overline{TA} input signal is asserted.

⁹ For part speeds above 50MHz, use 2ns for B19.

¹⁰ The D(0:31) and DP(0:3) input timings B20 and B21 refer to the falling edge of the CLKOUT. This timing is valid only for read accesses controlled by chip-selects under control of the UPM in the memory controller, for data beats where DLT3 = 1 in the UPM RAM words. (This is only the case where data is latched on the falling edge of CLKOUT.)

¹¹ The timing B30 refers to \overline{CS} when ACS = 00 and to $\overline{WE}(0:3)$ when CSNT = 0.

¹² The signal UPWAIT is considered asynchronous to the CLKOUT and synchronized internally. The timings specified in B37 and B38 are specified to enable the freeze of the UPM output signals as described in [Figure 19](#).

¹³ The \overline{AS} signal is considered asynchronous to the CLKOUT. The timing B39 is specified in order to allow the behavior specified in [Figure 22](#).

Figure 4 is the control timing diagram.

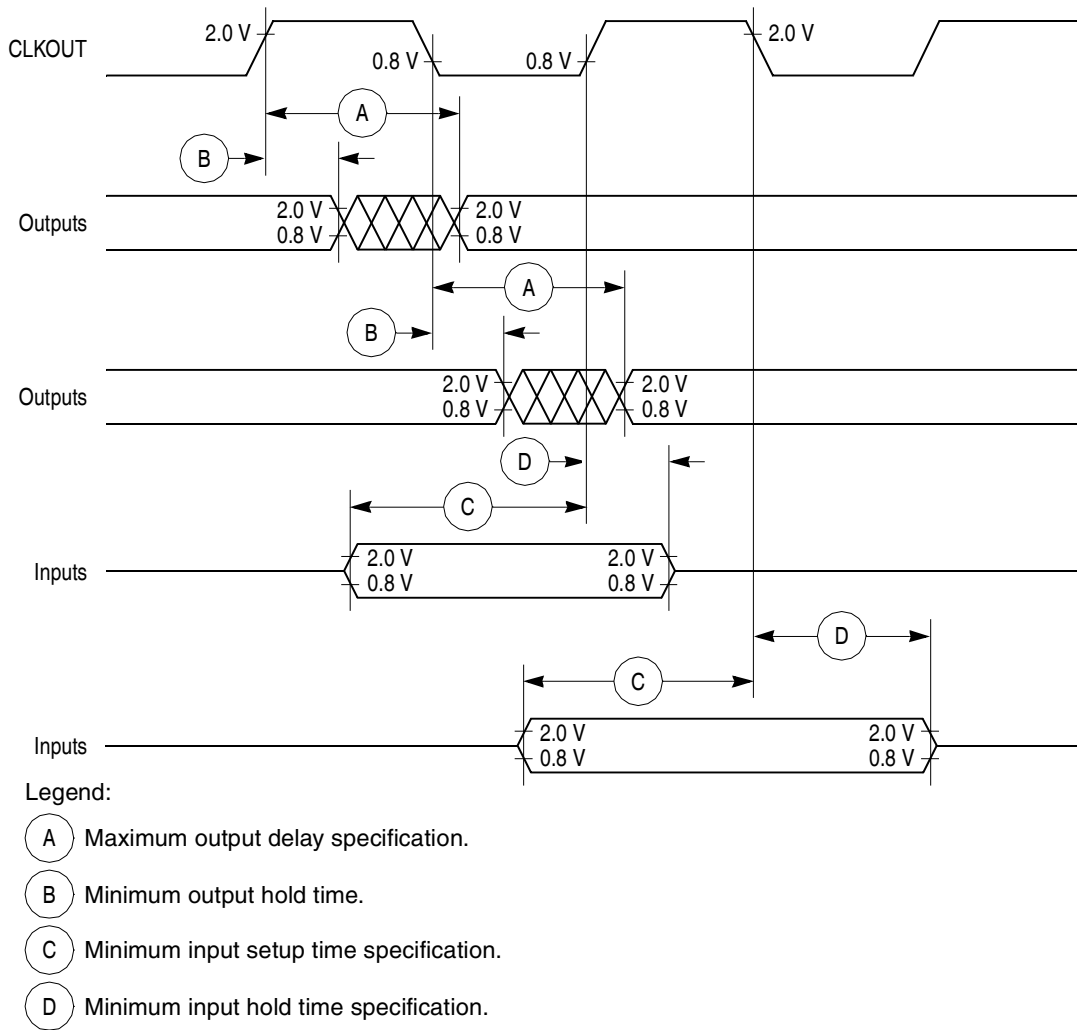


Figure 4. Control Timing

Figure 5 provides the timing for the external clock.

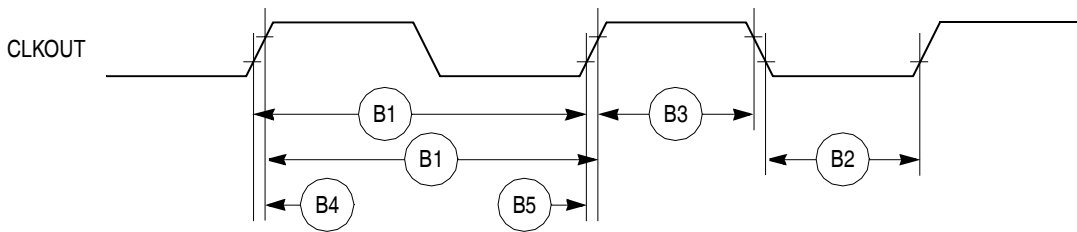


Figure 5. External Clock Timing

Figure 6 provides the timing for the synchronous output signals.

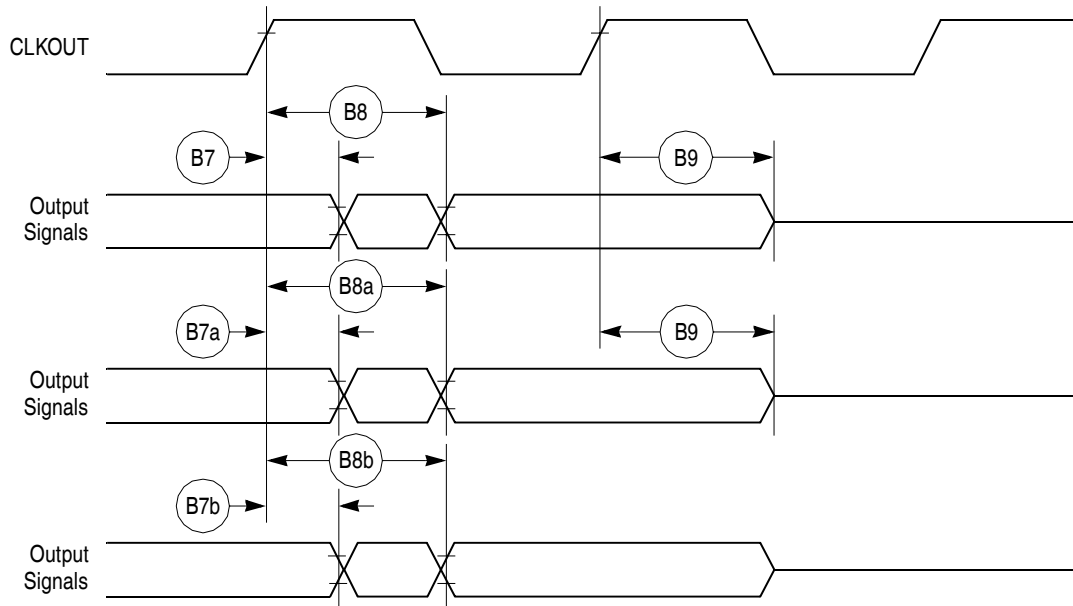


Figure 6. Synchronous Output Signals Timing

Figure 7 provides the timing for the synchronous active pull-up and open-drain output signals.

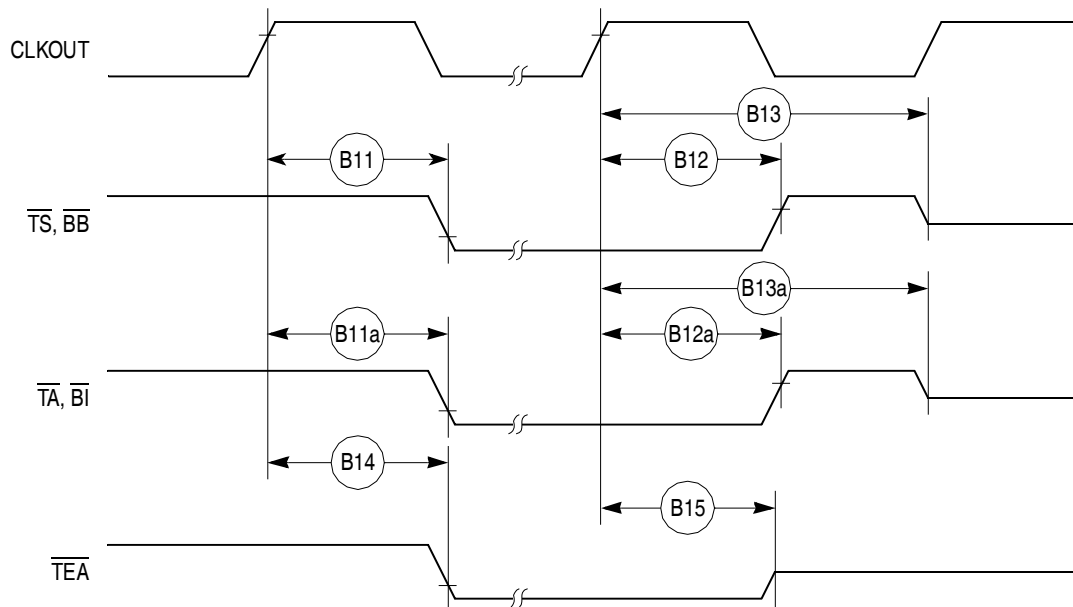


Figure 7. Synchronous Active Pull-Up Resistor and Open-Drain Outputs Signals Timing

Figure 8 provides the timing for the synchronous input signals.

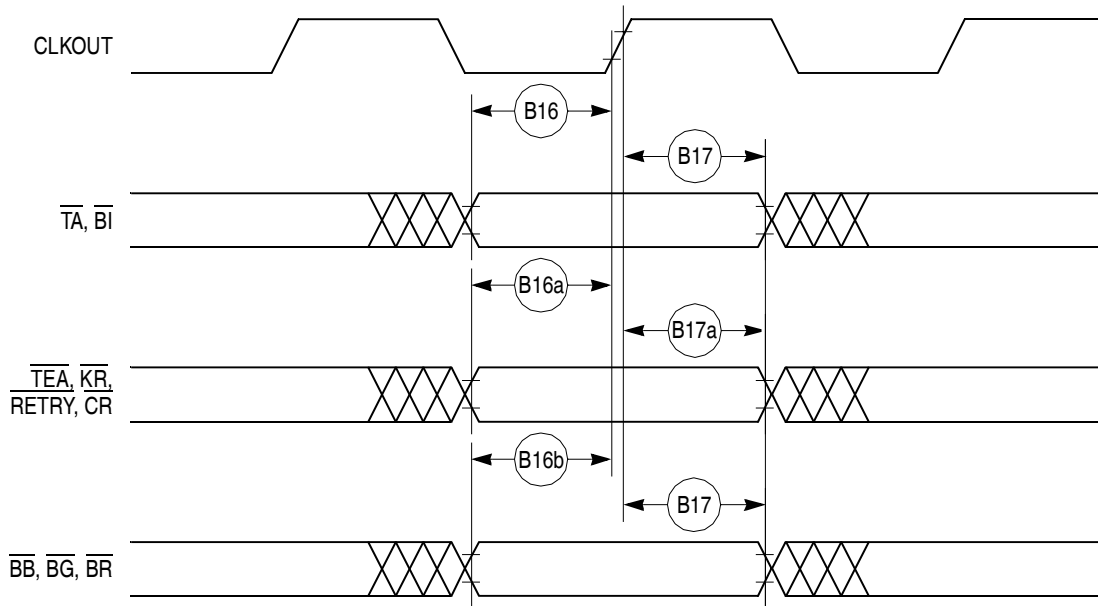


Figure 8. Synchronous Input Signals Timing

Figure 9 provides normal case timing for input data. It also applies to normal read accesses under the control of the UPM in the memory controller.

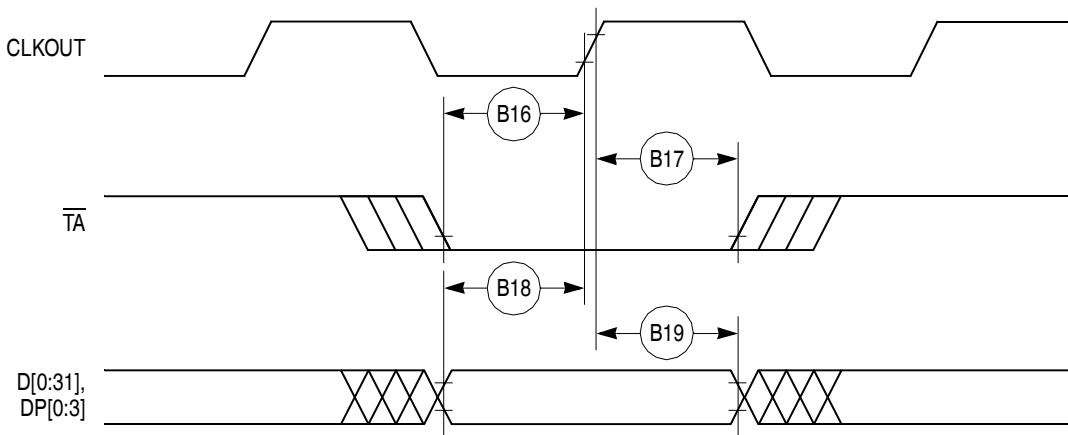


Figure 9. Input Data Timing in Normal Case

Figure 10 provides the timing for the input data controlled by the UPM for data beats where $DLT3 = 1$ in the UPM RAM words. (This is only the case where data is latched on the falling edge of CLKOUT.)

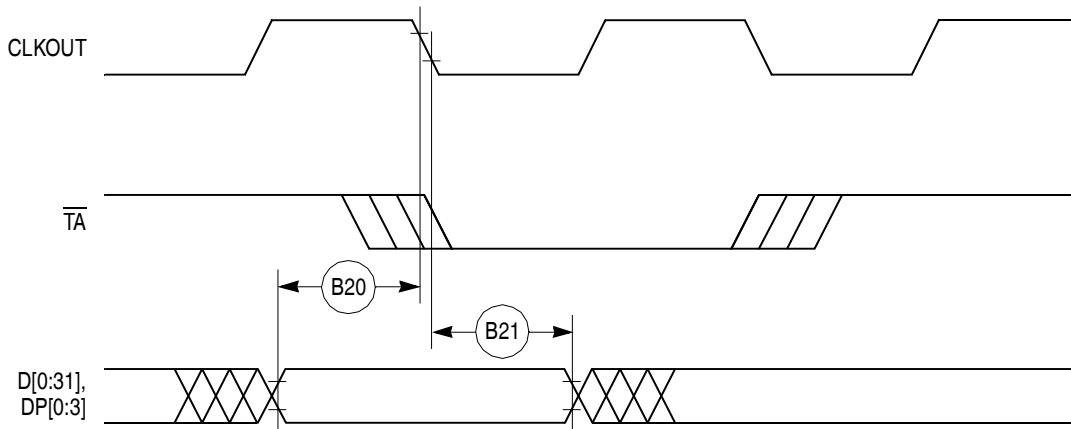


Figure 10. Input Data Timing when Controlled by UPM in the Memory Controller and $DLT3 = 1$

Figure 11 through Figure 14 provide the timing for the external bus read controlled by various GPCM factors.

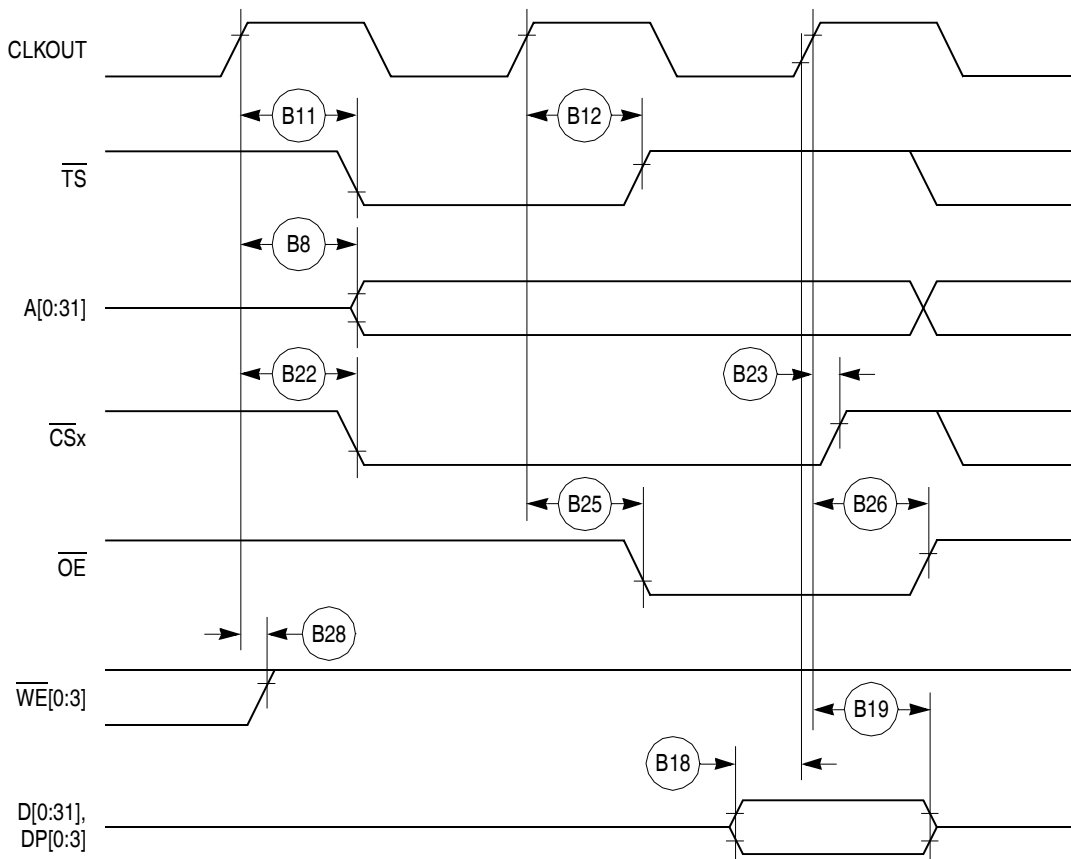


Figure 11. External Bus Read Timing (GPCM Controlled— $ACS = 00$)

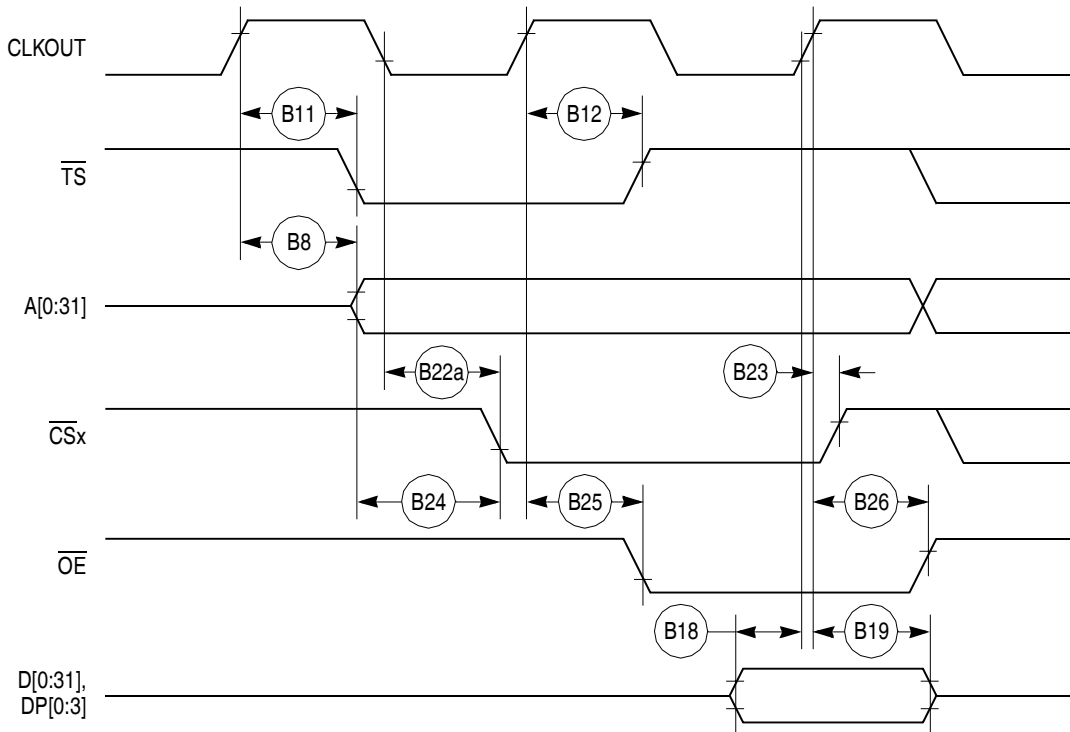


Figure 12. External Bus Read Timing (GPCM Controlled—TRLX = 0, ACS = 10)

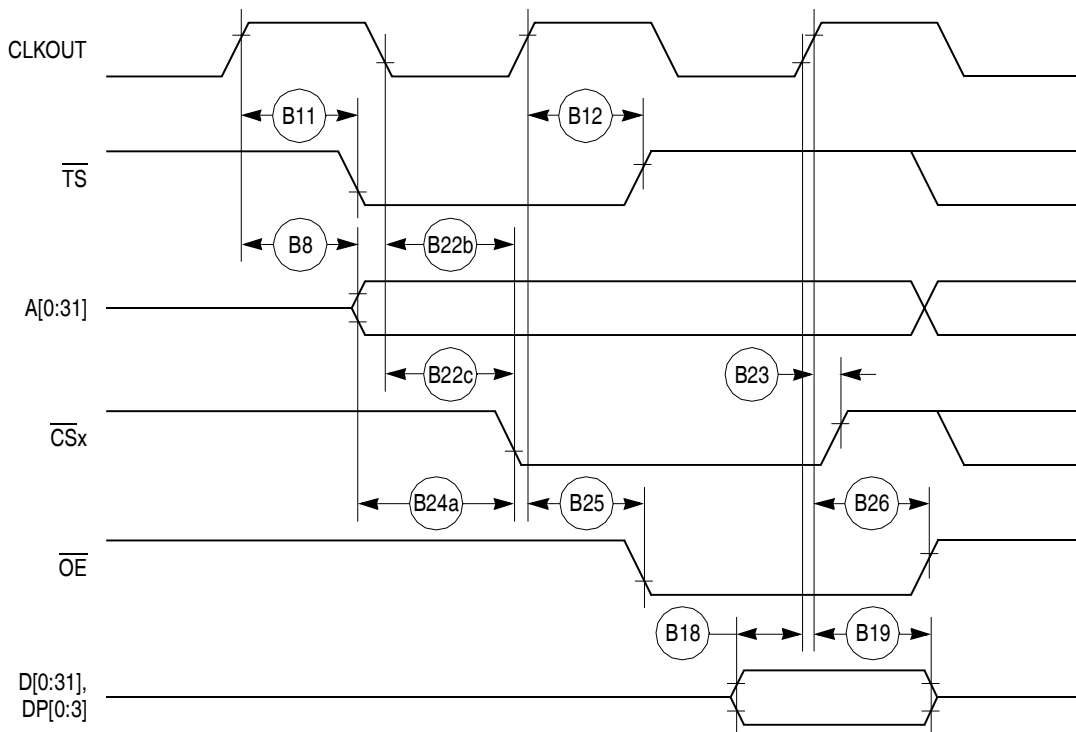


Figure 13. External Bus Read Timing (GPCM Controlled—TRLX = 0, ACS = 11)

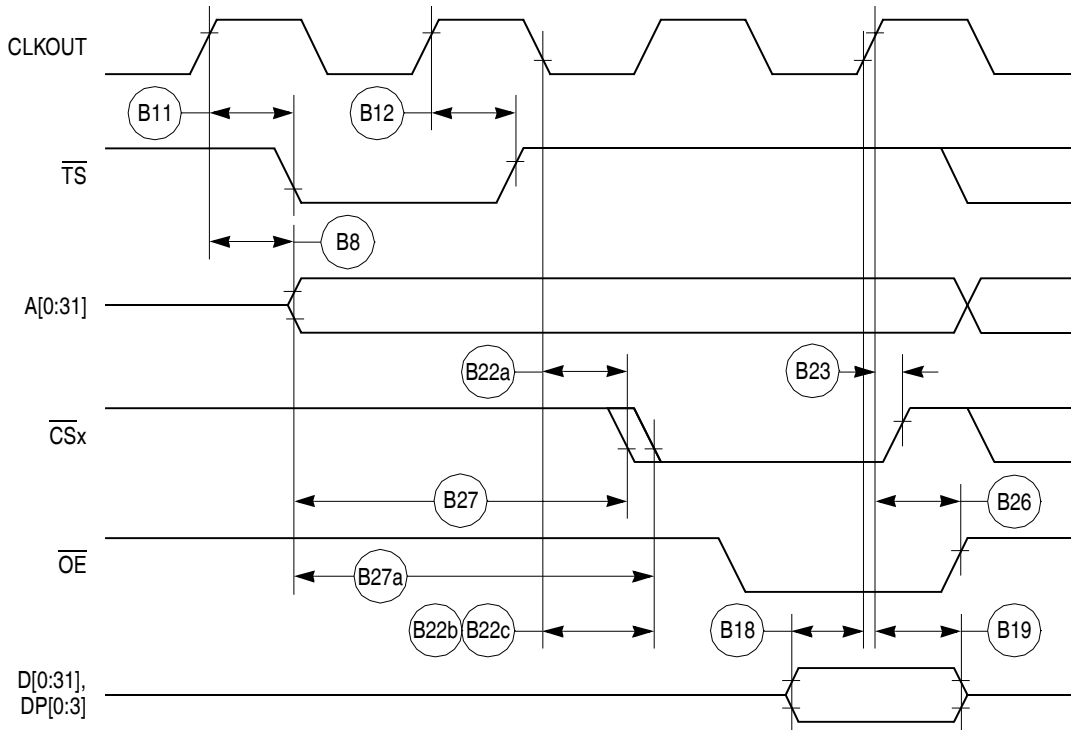


Figure 14. External Bus Read Timing (GPCM Controlled—TRLX = 1, ACS = 10, ACS = 11)

Figure 15 through Figure 17 provide the timing for the external bus write controlled by various GPCM factors.

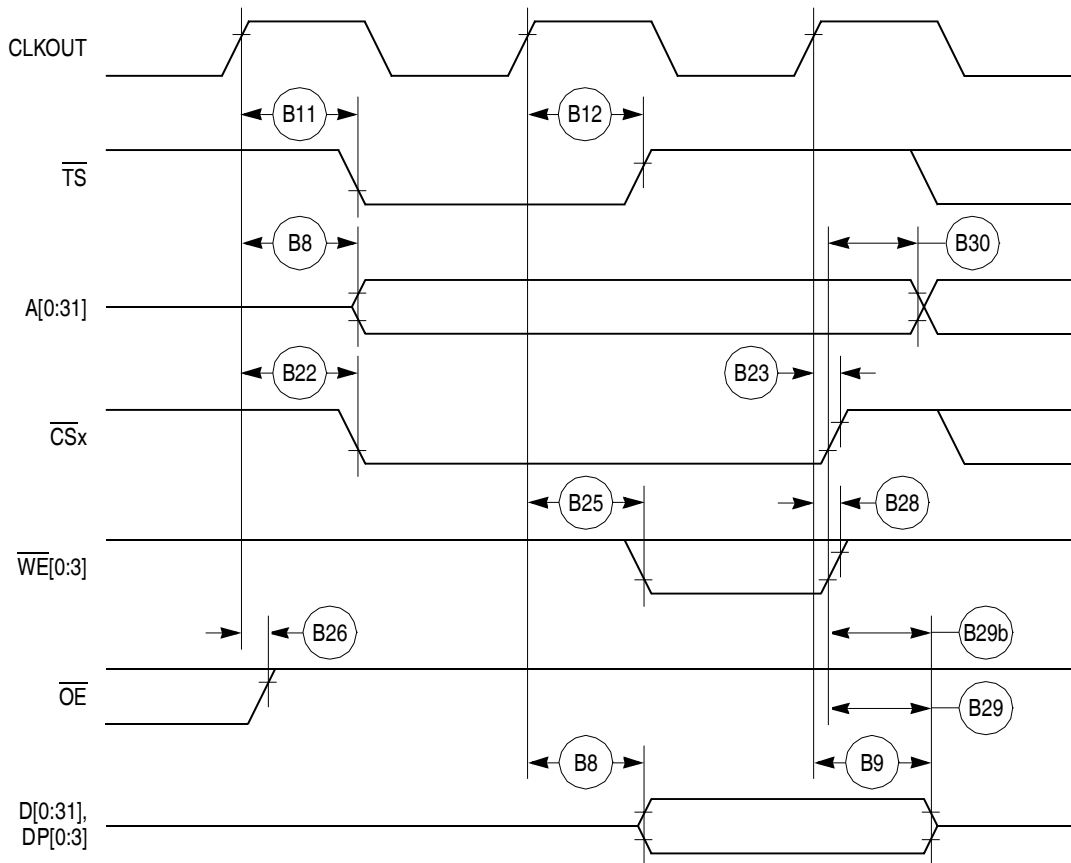


Figure 15. External Bus Write Timing (GPCM Controlled—TRLX = 0,1 CSNT = 0)

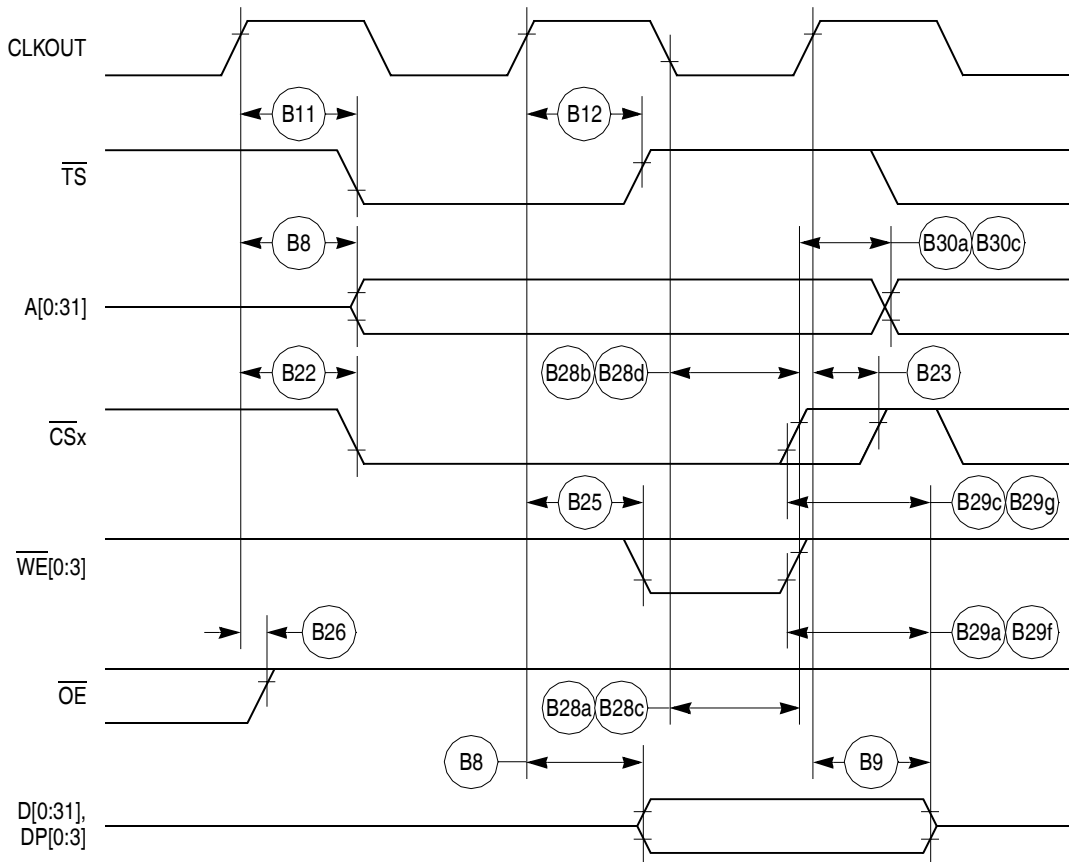


Figure 16. External Bus Write Timing (GPCM Controlled—TRLX = 0,1 CSNT = 1)

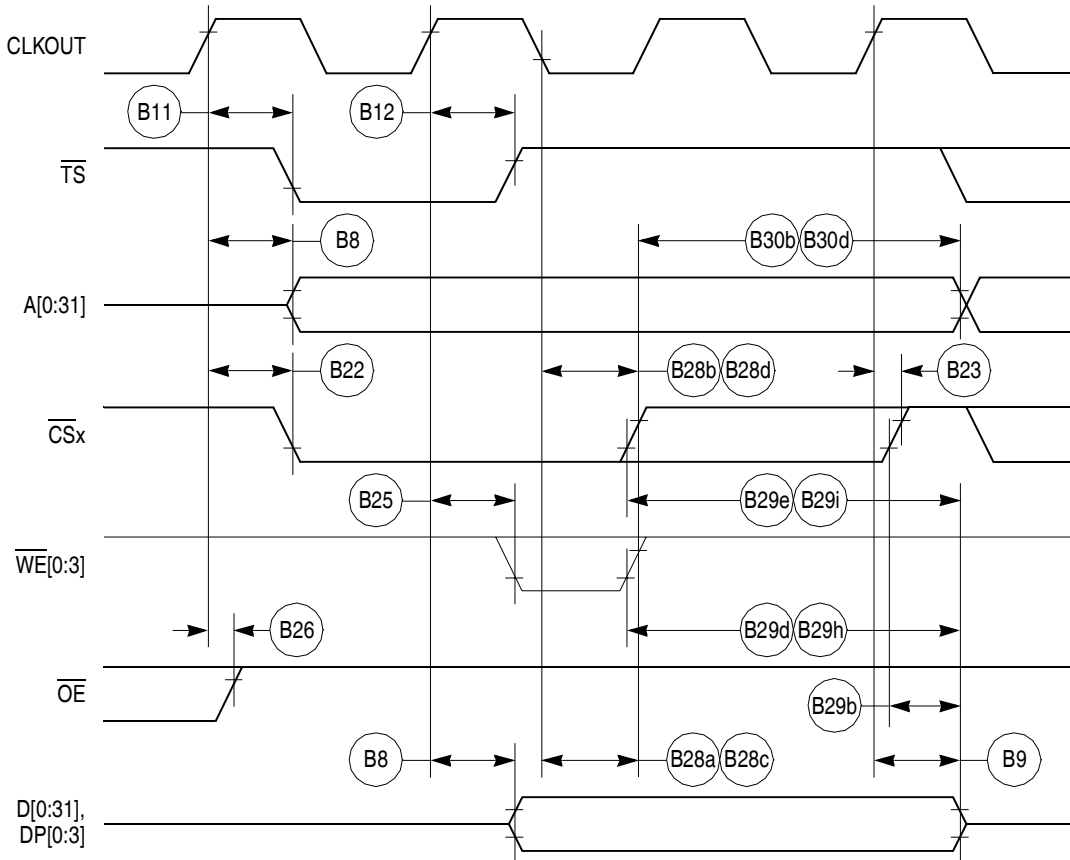


Figure 17. External Bus Write Timing (GPCM Controlled—TRLX = 0,1, CSNT = 1)

Figure 18 provides the timing for the external bus controlled by the UPM.

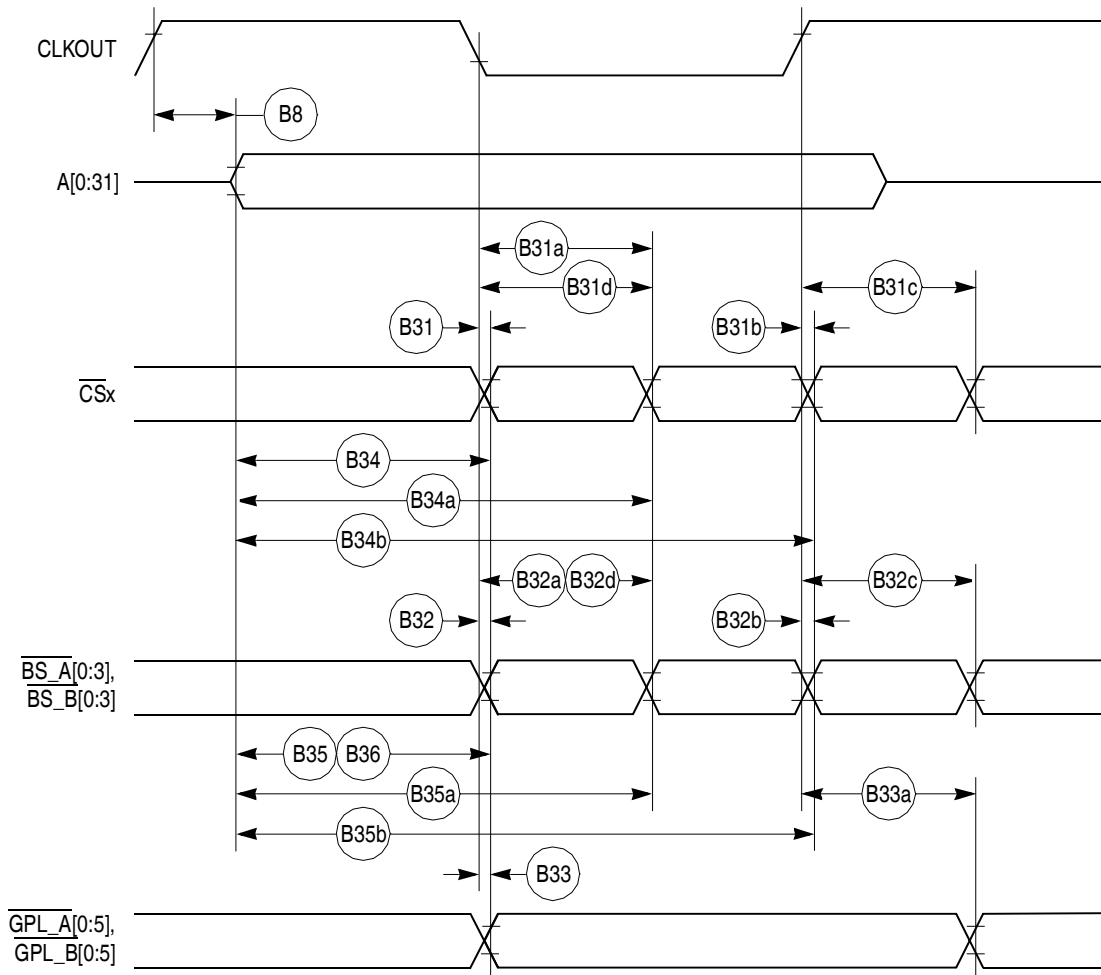


Figure 18. External Bus Timing (UPM Controlled Signals)

Figure 19 provides the timing for the asynchronous asserted UPWAIT signal controlled by the UPM.

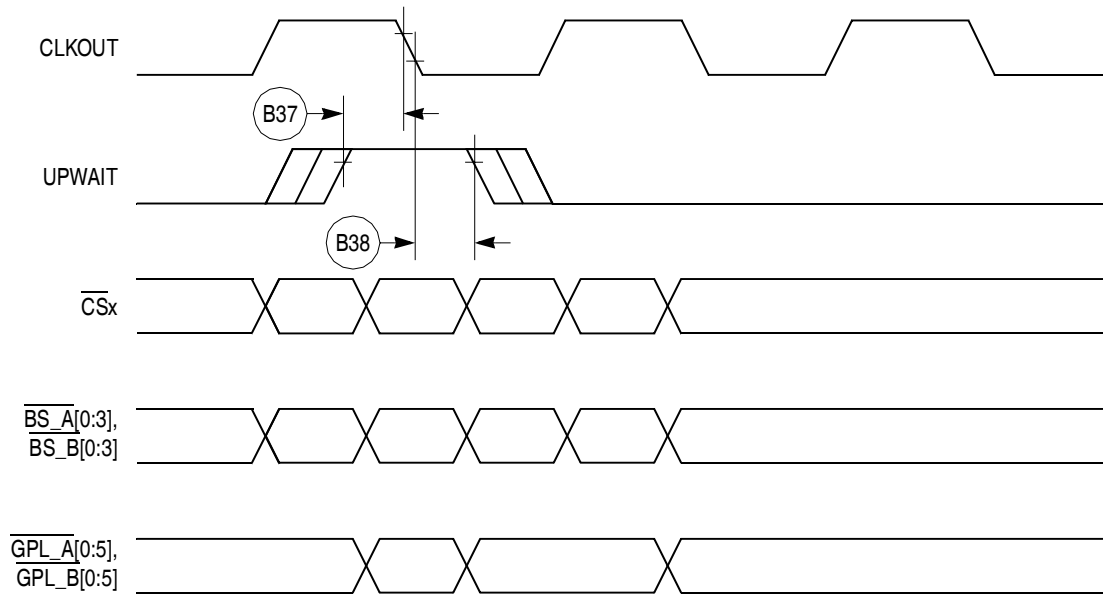


Figure 19. Asynchronous UPWAIT Asserted Detection in UPM Handled Cycles Timing

Figure 20 provides the timing for the asynchronous negated UPWAIT signal controlled by the UPM.

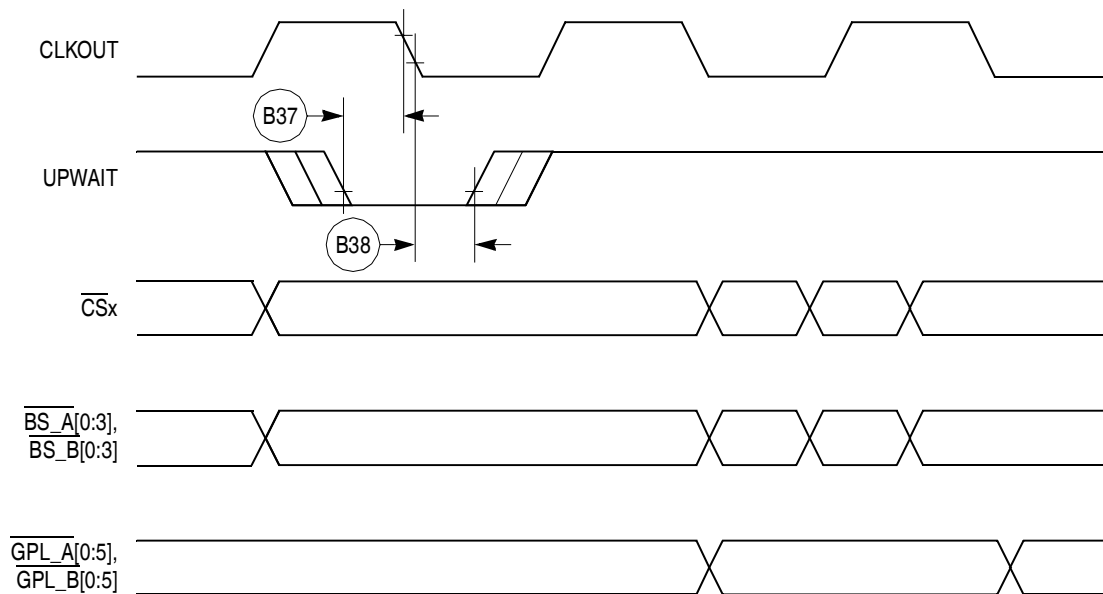


Figure 20. Asynchronous UPWAIT Negated Detection in UPM Handled Cycles Timing

Figure 21 provides the timing for the synchronous external master access controlled by the GPCM.

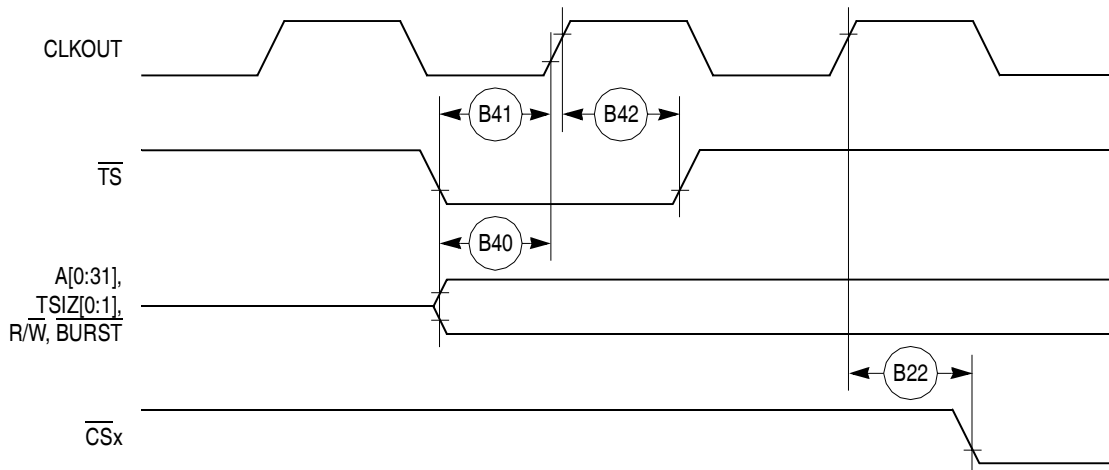


Figure 21. Synchronous External Master Access Timing (GPCM Handled ACS = 00)

Figure 22 provides the timing for the asynchronous external master memory access controlled by the GPCM.

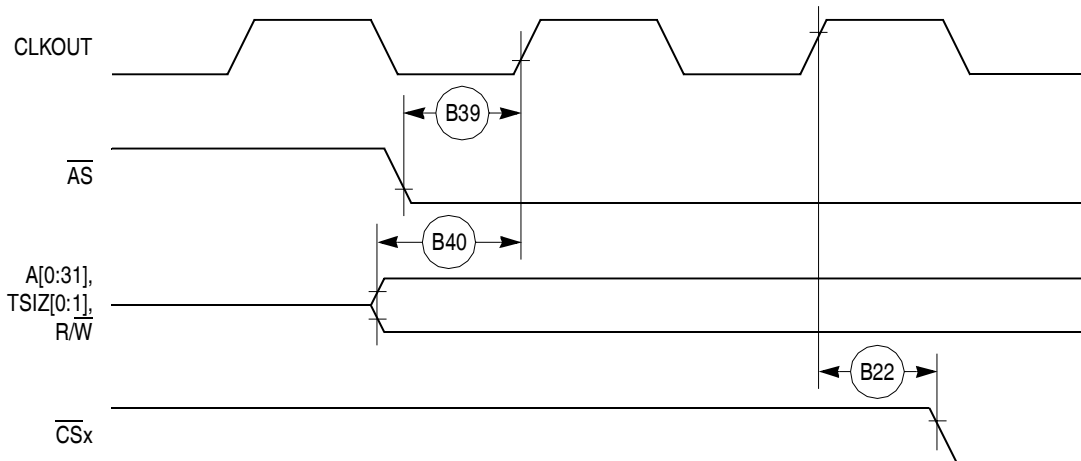


Figure 22. Asynchronous External Master Memory Access Timing (GPCM Controlled—ACS = 00)

Figure 23 provides the timing for the asynchronous external master control signals negation.

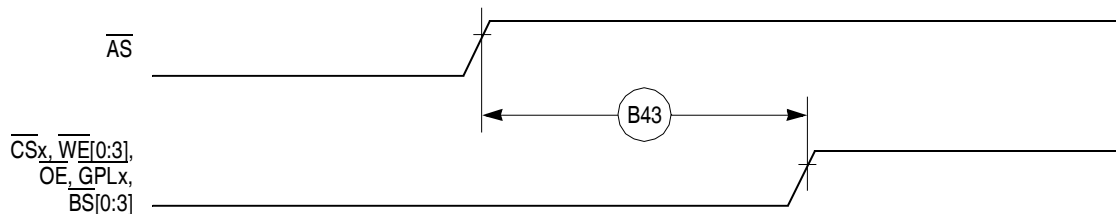


Figure 23. Asynchronous External Master—Control Signals Negation Timing

Table 8 provides interrupt timing for the MPC862/857T/857DSL.

Table 8. Interrupt Timing

| Num | Characteristic ¹ | All Frequencies | | Unit |
|-----|---|------------------------------|-----|------|
| | | Min | Max | |
| I39 | $\overline{\text{IRQ}}_x$ valid to CLKOUT rising edge (set up time) | 6.00 | | ns |
| I40 | $\overline{\text{IRQ}}_x$ hold time after CLKOUT | 2.00 | | ns |
| I41 | $\overline{\text{IRQ}}_x$ pulse width low | 3.00 | | ns |
| I42 | $\overline{\text{IRQ}}_x$ pulse width high | 3.00 | | ns |
| I43 | $\overline{\text{IRQ}}_x$ edge-to-edge time | $4 \times T_{\text{CLKOUT}}$ | | — |

¹ The timings I39 and I40 describe the testing conditions under which the $\overline{\text{IRQ}}$ lines are tested when being defined as level sensitive. The $\overline{\text{IRQ}}$ lines are synchronized internally and do not have to be asserted or negated with reference to the CLKOUT. The timings I41, I42, and I43 are specified to allow the correct function of the $\overline{\text{IRQ}}$ lines detection circuitry, and has no direct relation with the total system interrupt latency that the MPC862/857T/857DSL is able to support.

Figure 24 provides the interrupt detection timing for the external level-sensitive lines.

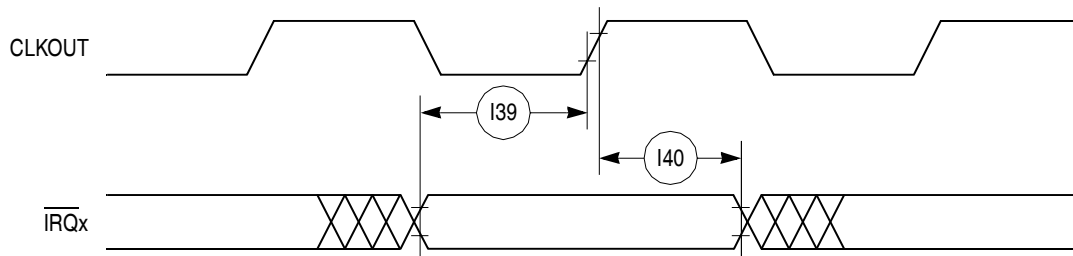


Figure 24. Interrupt Detection Timing for External Level Sensitive Lines

Figure 25 provides the interrupt detection timing for the external edge-sensitive lines.

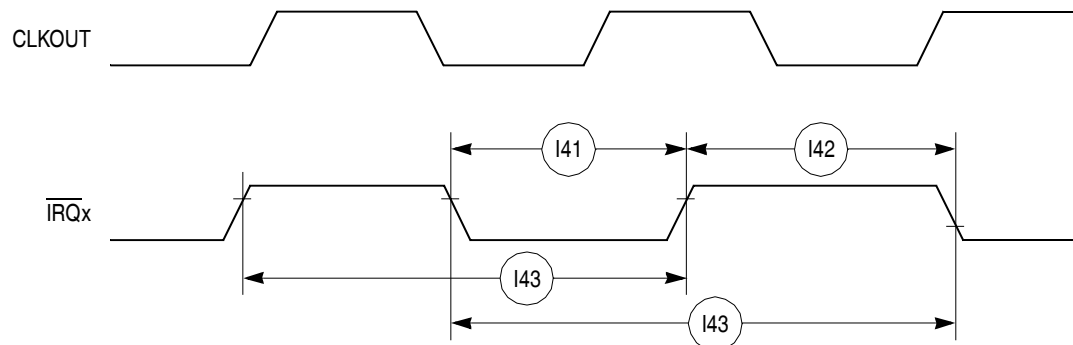


Figure 25. Interrupt Detection Timing for External Edge Sensitive Lines

Table 9 shows the PCMCIA timing for the MPC862/857T/857DSL.

Table 9. PCMCIA Timing

| Num | Characteristic | 33 MHz | | 40 MHz | | 50 MHz | | 66 MHz | | Unit |
|-----|--|--------|-------|--------|-------|--------|-------|--------|-------|------|
| | | Min | Max | Min | Max | Min | Max | Min | Max | |
| P44 | A(0:31), $\overline{\text{REG}}$ valid to PCMCIA Strobe asserted. ¹ (MIN = 0.75 x B1 - 2.00) | 20.70 | — | 16.70 | — | 13.00 | — | 9.40 | — | ns |
| P45 | A(0:31), $\overline{\text{REG}}$ valid to ALE negation. ¹ (MIN = 1.00 x B1 - 2.00) | 28.30 | — | 23.00 | — | 18.00 | — | 13.20 | — | ns |
| P46 | CLKOUT to $\overline{\text{REG}}$ valid (MAX = 0.25 x B1 + 8.00) | 7.60 | 15.60 | 6.30 | 14.30 | 5.00 | 13.00 | 3.80 | 11.80 | ns |
| P47 | CLKOUT to $\overline{\text{REG}}$ Invalid. (MIN = 0.25 x B1 + 1.00) | 8.60 | — | 7.30 | — | 6.00 | — | 4.80 | — | ns |
| P48 | CLKOUT to $\overline{\text{CE1}}$, $\overline{\text{CE2}}$ asserted. (MAX = 0.25 x B1 + 8.00) | 7.60 | 15.60 | 6.30 | 14.30 | 5.00 | 13.00 | 3.80 | 11.80 | ns |
| P49 | CLKOUT to $\overline{\text{CE1}}$, $\overline{\text{CE2}}$ negated. (MAX = 0.25 x B1 + 8.00) | 7.60 | 15.60 | 6.30 | 14.30 | 5.00 | 13.00 | 3.80 | 11.80 | ns |
| P50 | CLKOUT to $\overline{\text{PCOE}}$, $\overline{\text{IORD}}$, $\overline{\text{PCWE}}$, $\overline{\text{IOWR}}$ assert time. (MAX = 0.00 x B1 + 11.00) | — | 11.00 | — | 11.00 | — | 11.00 | — | 11.00 | ns |
| P51 | CLKOUT to $\overline{\text{PCOE}}$, $\overline{\text{IORD}}$, $\overline{\text{PCWE}}$, $\overline{\text{IOWR}}$ negate time. (MAX = 0.00 x B1 + 11.00) | 2.00 | 11.00 | 2.00 | 11.00 | 2.00 | 11.00 | 2.00 | 11.00 | ns |
| P52 | CLKOUT to ALE assert time (MAX = 0.25 x B1 + 6.30) | 7.60 | 13.80 | 6.30 | 12.50 | 5.00 | 11.30 | 3.80 | 10.00 | ns |
| P53 | CLKOUT to ALE negate time (MAX = 0.25 x B1 + 8.00) | — | 15.60 | — | 14.30 | — | 13.00 | — | 11.80 | ns |
| P54 | $\overline{\text{PCWE}}$, $\overline{\text{IOWR}}$ negated to D(0:31) invalid. ¹ (MIN = 0.25 x B1 - 2.00) | 5.60 | — | 4.30 | — | 3.00 | — | 1.80 | — | ns |
| P55 | $\overline{\text{WAITA}}$ and $\overline{\text{WAITB}}$ valid to CLKOUT rising edge. ¹ (MIN = 0.00 x B1 + 8.00) | 8.00 | — | 8.00 | — | 8.00 | — | 8.00 | — | ns |
| P56 | CLKOUT rising edge to $\overline{\text{WAITA}}$ and $\overline{\text{WAITB}}$ invalid. ¹ (MIN = 0.00 x B1 + 2.00) | 2.00 | — | 2.00 | — | 2.00 | — | 2.00 | — | ns |

¹ PSST = 1. Otherwise add PSST times cycle time.
PSHT = 0. Otherwise add PSHT times cycle time.

These synchronous timings define when the $\overline{\text{WAITx}}$ signals are detected in order to freeze (or relieve) the PCMCIA current cycle. The $\overline{\text{WAITx}}$ assertion will be effective only if it is detected 2 cycles before the PSL timer expiration. See PCMCIA Interface in the *MPC862 PowerQUICC User's Manual*.

Figure 26 provides the PCMCIA access cycle timing for the external bus read.

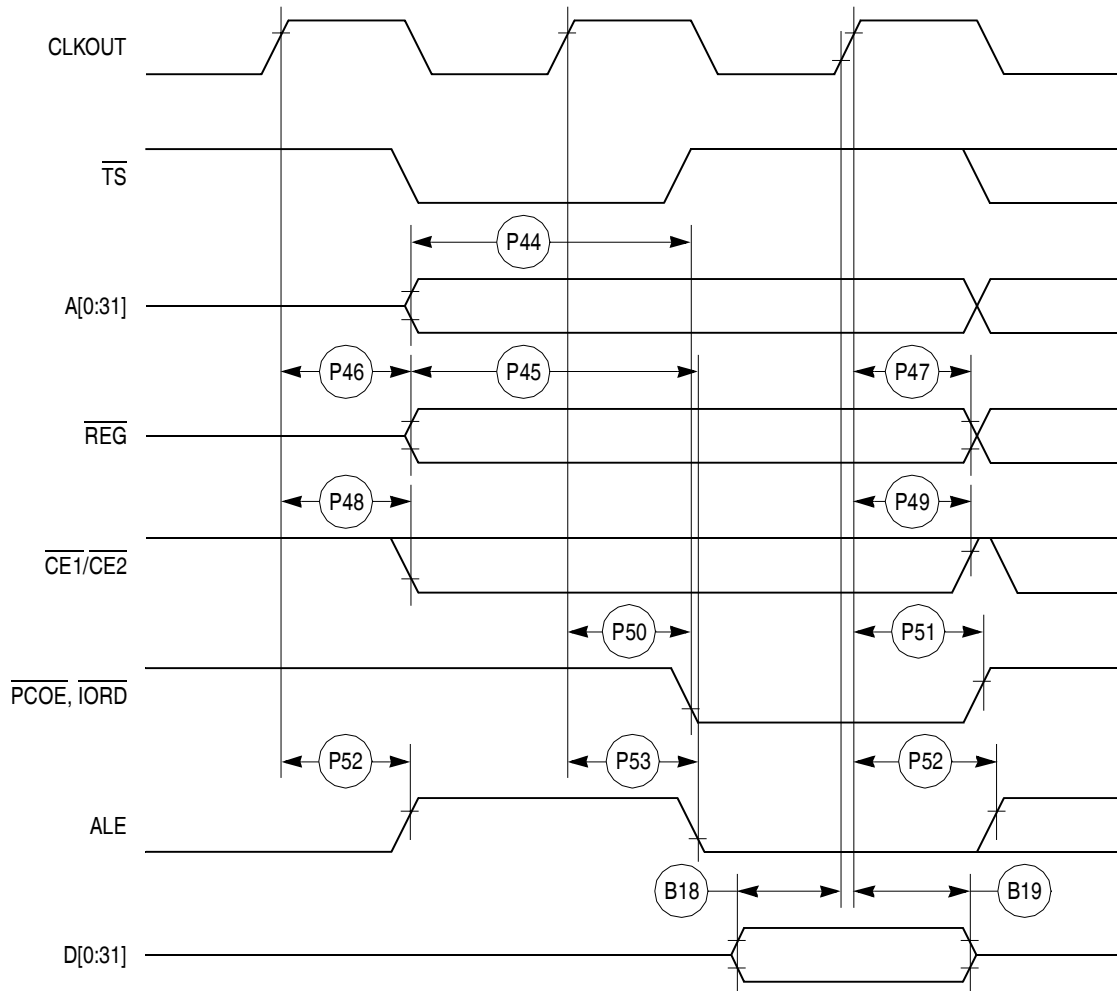


Figure 26. PCMCIA Access Cycles Timing External Bus Read

Figure 27 provides the PCMCIA access cycle timing for the external bus write.

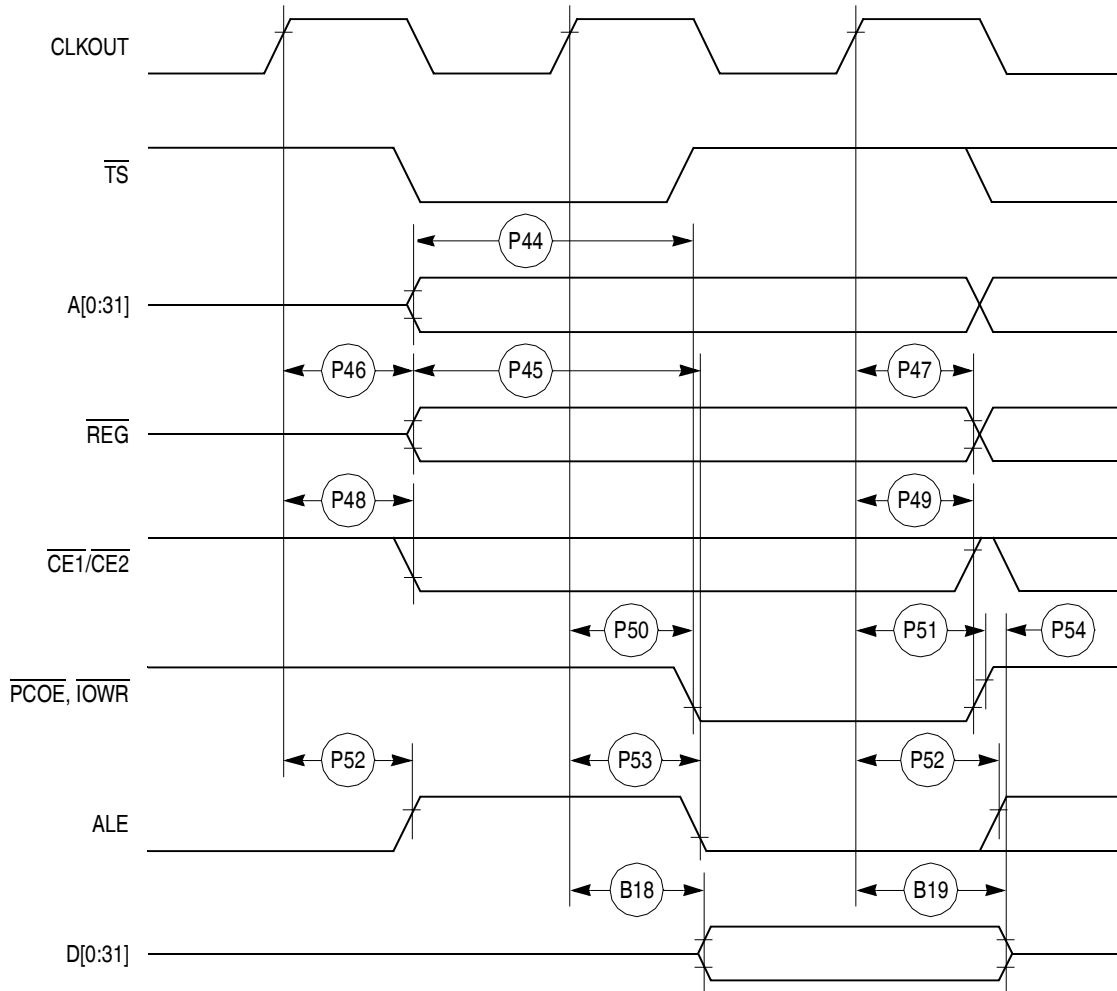


Figure 27. PCMCIA Access Cycles Timing External Bus Write

Figure 28 provides the PCMCIA $\overline{\text{WAIT}}$ signals detection timing.

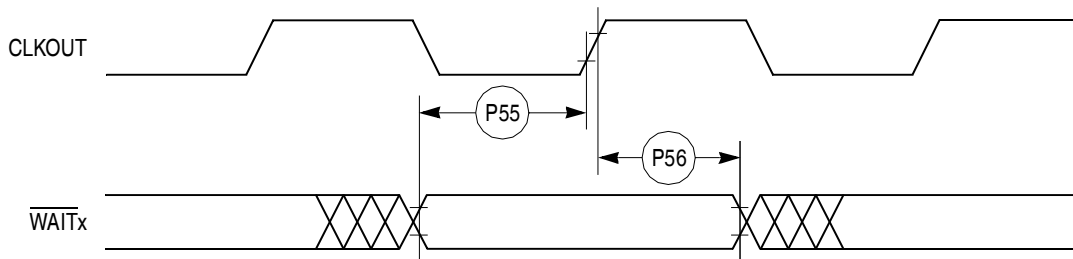


Figure 28. PCMCIA $\overline{\text{WAIT}}$ Signals Detection Timing

Table 10 shows the PCMCIA port timing for the MPC862/857T/857DSL.

Table 10. PCMCIA Port Timing

| Num | Characteristic | 33 MHz | | 40 MHz | | 50 MHz | | 66 MHz | | Unit |
|-----|---|--------|-------|--------|-------|--------|-------|--------|-------|------|
| | | Min | Max | Min | Max | Min | Max | Min | Max | |
| P57 | CLKOUT to OPx Valid (MAX = 0.00 x B1 + 19.00) | — | 19.00 | — | 19.00 | — | 19.00 | — | 19.00 | ns |
| P58 | HRESET negated to OPx drive ¹ (MIN = 0.75 x B1 + 3.00) | 25.70 | — | 21.70 | — | 18.00 | — | 14.40 | — | ns |
| P59 | IP_Xx valid to CLKOUT rising edge (MIN = 0.00 x B1 + 5.00) | 5.00 | — | 5.00 | — | 5.00 | — | 5.00 | — | ns |
| P60 | CLKOUT rising edge to IP_Xx invalid (MIN = 0.00 x B1 + 1.00) | 1.00 | — | 1.00 | — | 1.00 | — | 1.00 | — | ns |

¹ OP2 and OP3 only.

Figure 29 provides the PCMCIA output port timing for the MPC862/857T/857DSL.

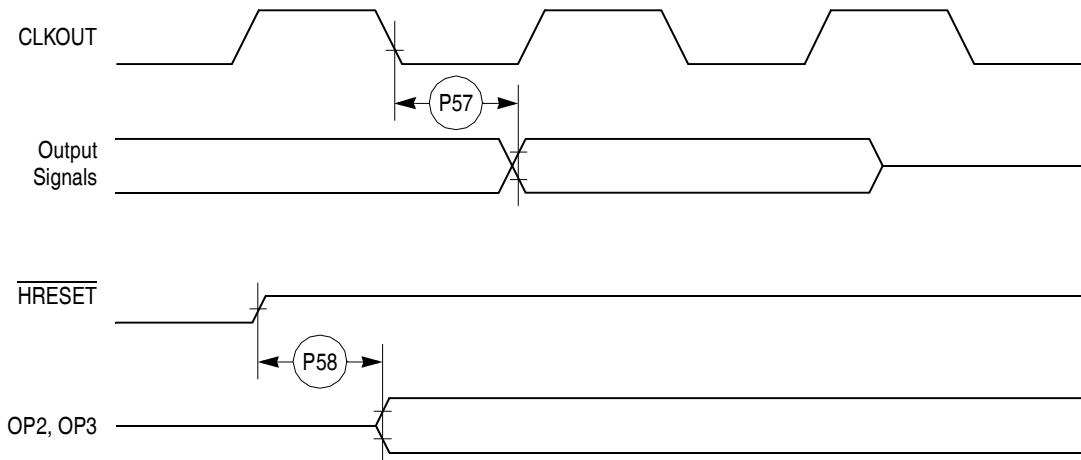


Figure 29. PCMCIA Output Port Timing

Figure 30 provides the PCMCIA output port timing for the MPC862/857T/857DSL.

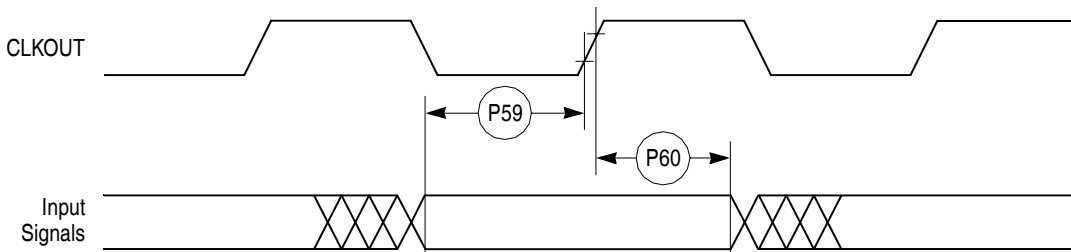


Figure 30. PCMCIA Input Port Timing

Table 11 shows the debug port timing for the MPC862/857T/857DSL.

Table 11. Debug Port Timing

| Num | Characteristic | All Frequencies | | Unit |
|-----|-----------------------------|------------------------------|-------|------|
| | | Min | Max | |
| D61 | DSCK cycle time | 3 x T _{CLOCKOUT} | | - |
| D62 | DSCK clock pulse width | 1.25 x T _{CLOCKOUT} | | - |
| D63 | DSCK rise and fall times | 0.00 | 3.00 | ns |
| D64 | DSDI input data setup time | 8.00 | | ns |
| D65 | DSDI data hold time | 5.00 | | ns |
| D66 | DSCK low to DSDO data valid | 0.00 | 15.00 | ns |
| D67 | DSCK low to DSDO invalid | 0.00 | 2.00 | ns |

Figure 31 provides the input timing for the debug port clock.

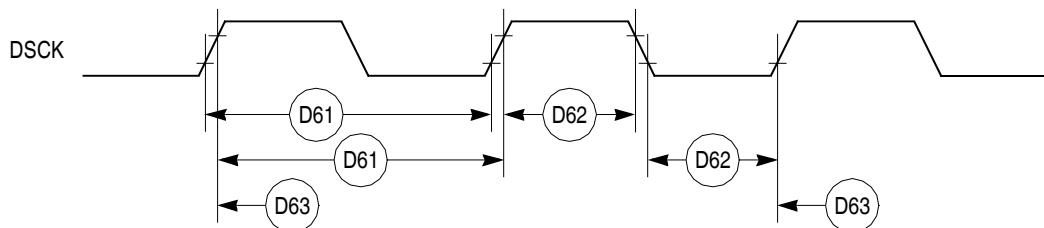


Figure 31. Debug Port Clock Input Timing

Figure 32 provides the timing for the debug port.

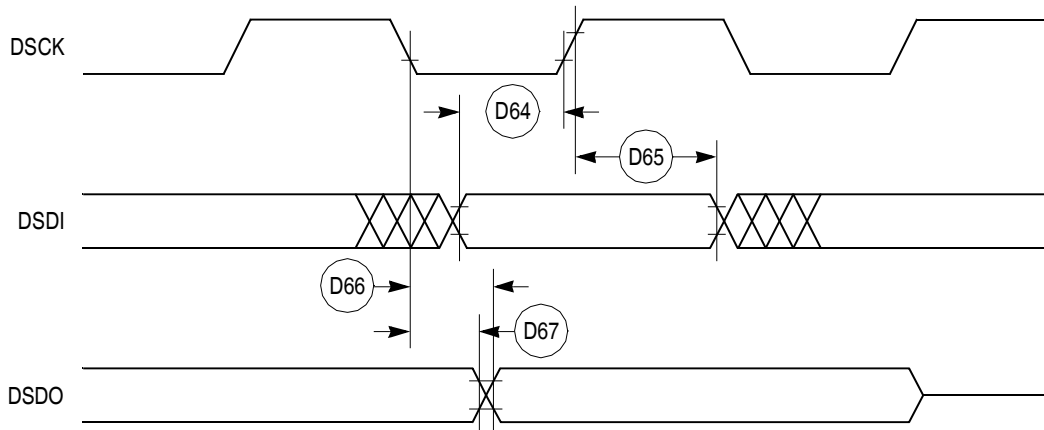


Figure 32. Debug Port Timings

Table 12 shows the reset timing for the MPC862/857T/857DSL.

Table 12. Reset Timing

| Num | Characteristic | 33 MHz | | 40 MHz | | 50 MHz | | 66 MHz | | Unit |
|-----|--|--------|-------|--------|-------|--------|-------|--------|-------|------|
| | | Min | Max | Min | Max | Min | Max | Min | Max | |
| R69 | CLKOUT to $\overline{\text{HRESET}}$ high impedance (MAX = 0.00 x B1 + 20.00) | — | 20.00 | — | 20.00 | — | 20.00 | — | 20.00 | ns |
| R70 | CLKOUT to $\overline{\text{SRESET}}$ high impedance (MAX = 0.00 x B1 + 20.00) | — | 20.00 | — | 20.00 | — | 20.00 | — | 20.00 | ns |
| R71 | $\overline{\text{RSTCONF}}$ pulse width (MIN = 17.00 x B1) | 515.20 | — | 425.00 | — | 340.00 | — | 257.60 | — | ns |
| R72 | — | — | — | — | — | — | — | — | — | — |
| R73 | Configuration data to $\overline{\text{HRESET}}$ rising edge set up time (MIN = 15.00 x B1 + 50.00) | 504.50 | — | 425.00 | — | 350.00 | — | 277.30 | — | ns |
| R74 | Configuration data to $\overline{\text{RSTCONF}}$ rising edge set up time (MIN = 0.00 x B1 + 350.00) | 350.00 | — | 350.00 | — | 350.00 | — | 350.00 | — | ns |
| R75 | Configuration data hold time after $\overline{\text{RSTCONF}}$ negation (MIN = 0.00 x B1 + 0.00) | 0.00 | — | 0.00 | — | 0.00 | — | 0.00 | — | ns |
| R76 | Configuration data hold time after $\overline{\text{HRESET}}$ negation (MIN = 0.00 x B1 + 0.00) | 0.00 | — | 0.00 | — | 0.00 | — | 0.00 | — | ns |
| R77 | $\overline{\text{HRESET}}$ and $\overline{\text{RSTCONF}}$ asserted to data out drive (MAX = 0.00 x B1 + 25.00) | — | 25.00 | — | 25.00 | — | 25.00 | — | 25.00 | ns |
| R78 | $\overline{\text{RSTCONF}}$ negated to data out high impedance. (MAX = 0.00 x B1 + 25.00) | — | 25.00 | — | 25.00 | — | 25.00 | — | 25.00 | ns |
| R79 | CLKOUT of last rising edge before chip three-states $\overline{\text{HRESET}}$ to data out high impedance. (MAX = 0.00 x B1 + 25.00) | — | 25.00 | — | 25.00 | — | 25.00 | — | 25.00 | ns |
| R80 | DSDI, DSCK set up (MIN = 3.00 x B1) | 90.90 | — | 75.00 | — | 60.00 | — | 45.50 | — | ns |
| R81 | DSDI, DSCK hold time (MIN = 0.00 x B1 + 0.00) | 0.00 | — | 0.00 | — | 0.00 | — | 0.00 | — | ns |
| R82 | $\overline{\text{SRESET}}$ negated to CLKOUT rising edge for DSDI and DSCK sample (MIN = 8.00 x B1) | 242.40 | — | 200.00 | — | 160.00 | — | 121.20 | — | ns |

Figure 33 shows the reset timing for the data bus configuration.

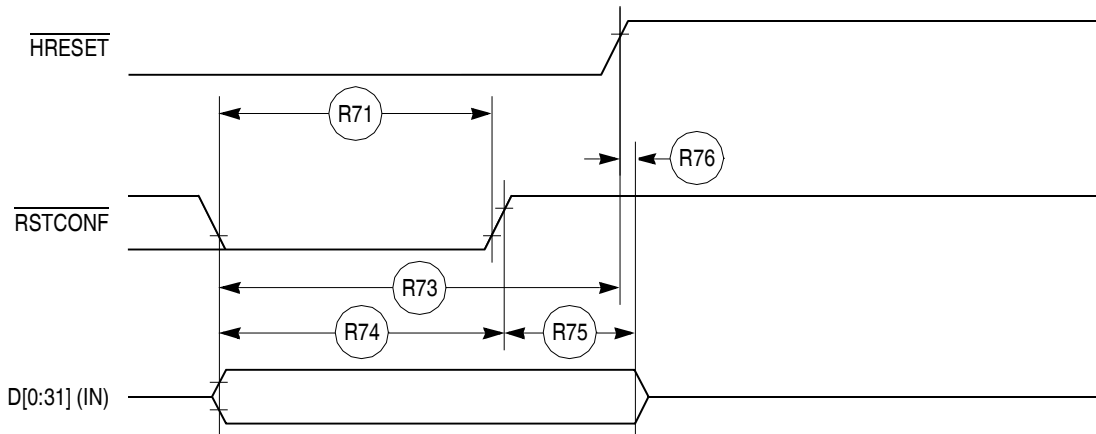


Figure 33. Reset Timing—Configuration from Data Bus

Figure 34 provides the reset timing for the data bus weak drive during configuration.

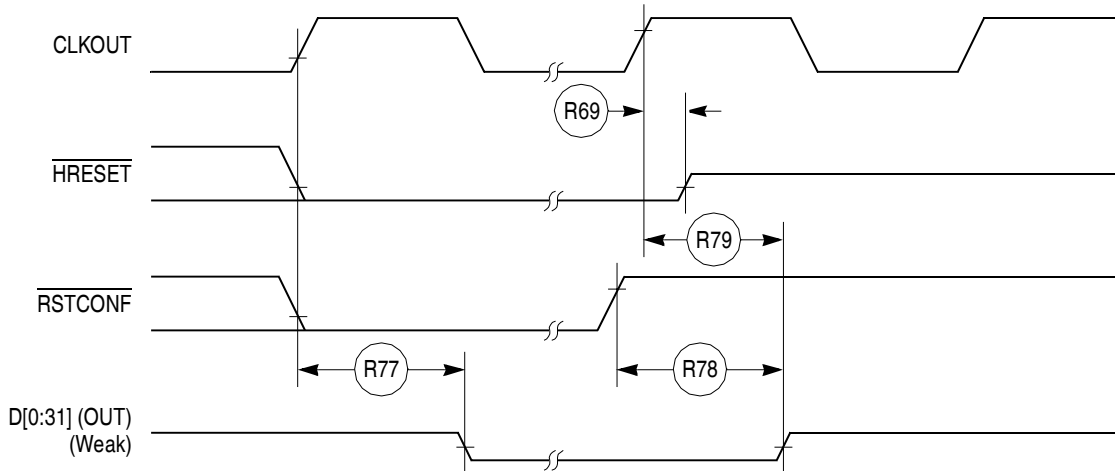


Figure 34. Reset Timing—Data Bus Weak Drive during Configuration

Figure 35 provides the reset timing for the debug port configuration.

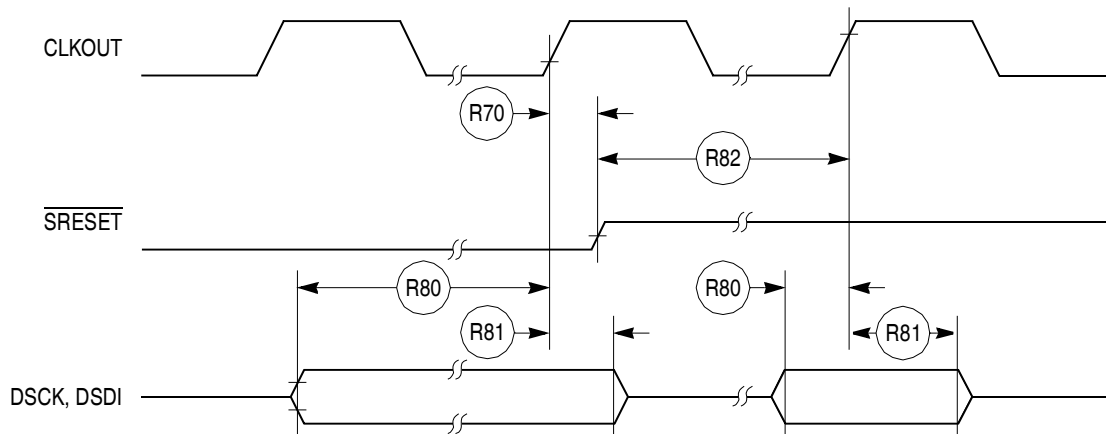


Figure 35. Reset Timing—Debug Port Configuration

10 IEEE 1149.1 Electrical Specifications

Table 13 provides the JTAG timings for the MPC862/857T/857DSL shown in Figure 36 through Figure 39.

Table 13. JTAG Timing

| Num | Characteristic | All Frequencies | | Unit |
|-----|--|-----------------|-------|------|
| | | Min | Max | |
| J82 | TCK cycle time | 100.00 | — | ns |
| J83 | TCK clock pulse width measured at 1.5 V | 40.00 | — | ns |
| J84 | TCK rise and fall times | 0.00 | 10.00 | ns |
| J85 | TMS, TDI data setup time | 5.00 | — | ns |
| J86 | TMS, TDI data hold time | 25.00 | — | ns |
| J87 | TCK low to TDO data valid | — | 27.00 | ns |
| J88 | TCK low to TDO data invalid | 0.00 | — | ns |
| J89 | TCK low to TDO high impedance | — | 20.00 | ns |
| J90 | $\overline{\text{TRST}}$ assert time | 100.00 | — | ns |
| J91 | $\overline{\text{TRST}}$ setup time to TCK low | 40.00 | — | ns |
| J92 | TCK falling edge to output valid | — | 50.00 | ns |
| J93 | TCK falling edge to output valid out of high impedance | — | 50.00 | ns |
| J94 | TCK falling edge to output high impedance | — | 50.00 | ns |
| J95 | Boundary scan input valid to TCK rising edge | 50.00 | — | ns |
| J96 | TCK rising edge to boundary scan input invalid | 50.00 | — | ns |

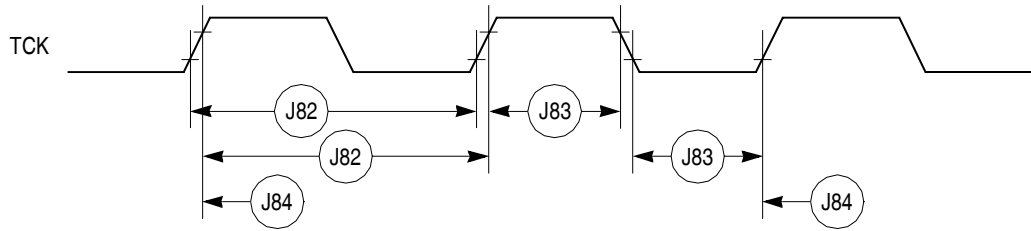


Figure 36. JTAG Test Clock Input Timing

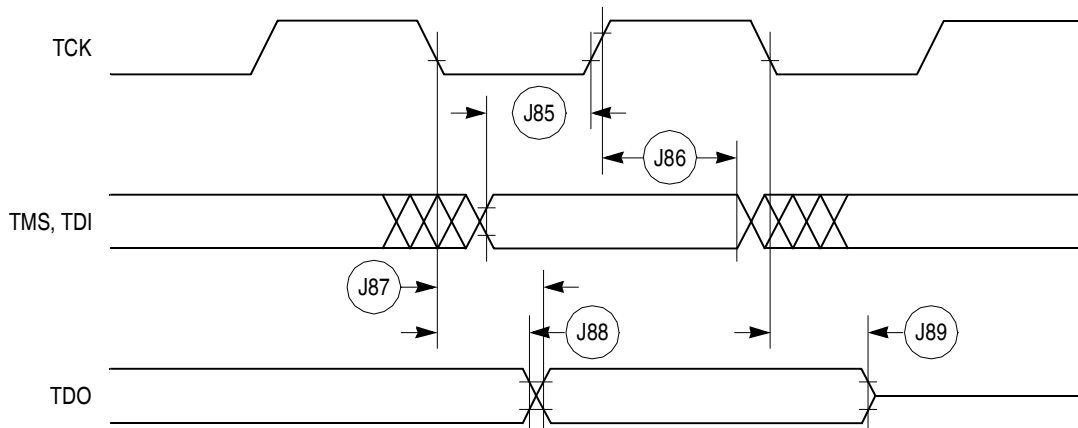


Figure 37. JTAG Test Access Port Timing Diagram

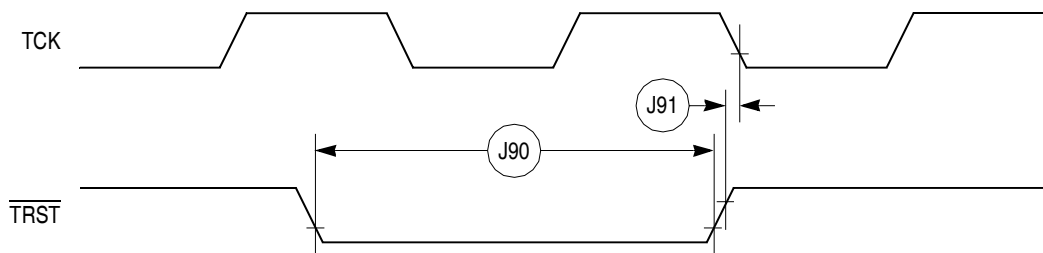


Figure 38. JTAG TRST Timing Diagram

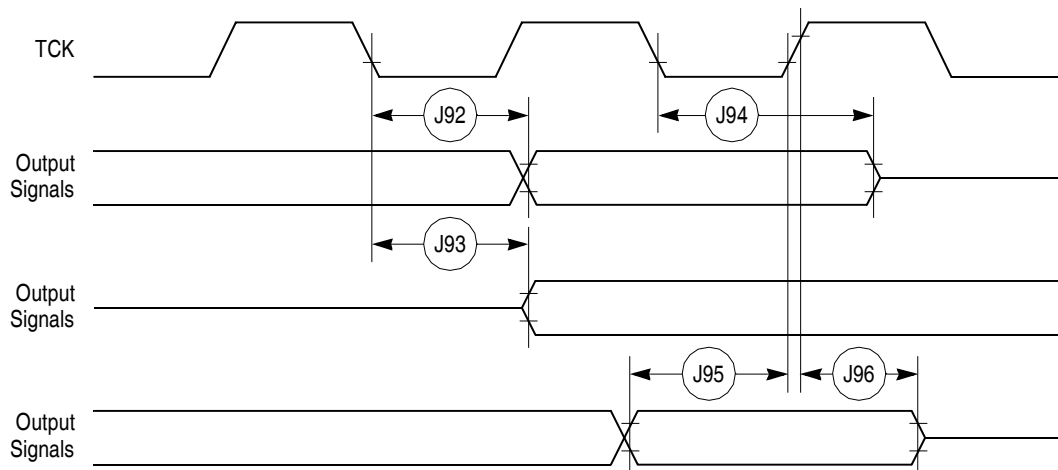


Figure 39. Boundary Scan (JTAG) Timing Diagram

11 CPM Electrical Characteristics

This section provides the AC and DC electrical specifications for the communications processor module (CPM) of the MPC862/857T/857DSL.

11.1 PIP/PIO AC Electrical Specifications

Table 14 provides the PIP/PIO AC timings as shown in Figure 40 through Figure 44.

Table 14. PIP/PIO Timing

| Num | Characteristic | All Frequencies | | Unit |
|-----|--|-----------------|-----|------|
| | | Min | Max | |
| 21 | Data-in setup time to STBI low | 0 | — | ns |
| 22 | Data-in hold time to STBI high | $2.5 - t_3^1$ | — | clk |
| 23 | STBI pulse width | 1.5 | — | clk |
| 24 | STBO pulse width | 1 clk – 5 ns | — | ns |
| 25 | Data-out setup time to STBO low | 2 | — | clk |
| 26 | Data-out hold time from STBO high | 5 | — | clk |
| 27 | STBI low to STBO low (Rx interlock) | — | 2 | clk |
| 28 | STBI low to STBO high (Tx interlock) | 2 | — | clk |
| 29 | Data-in setup time to clock high | 15 | — | ns |
| 30 | Data-in hold time from clock high | 7.5 | — | ns |
| 31 | Clock low to data-out valid (CPU writes data, control, or direction) | — | 25 | ns |

¹ t_3 = Specification 23

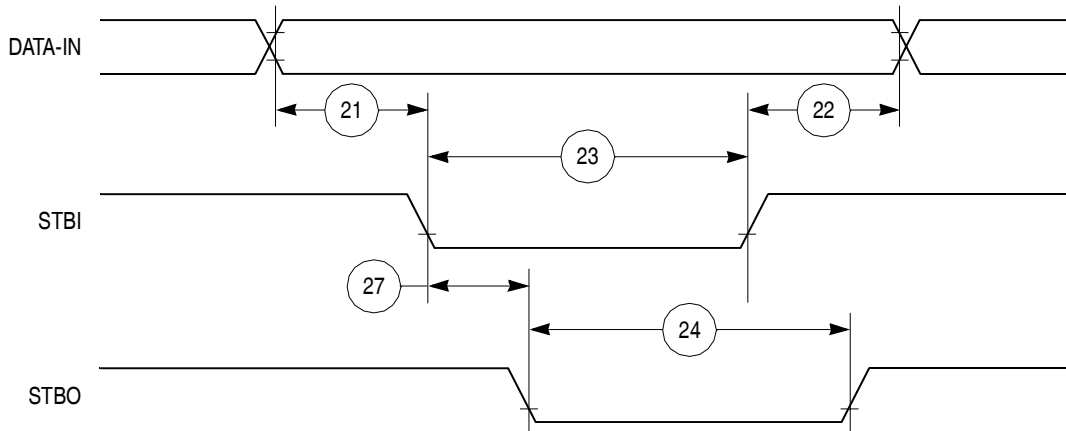


Figure 40. PIP Rx (Interlock Mode) Timing Diagram

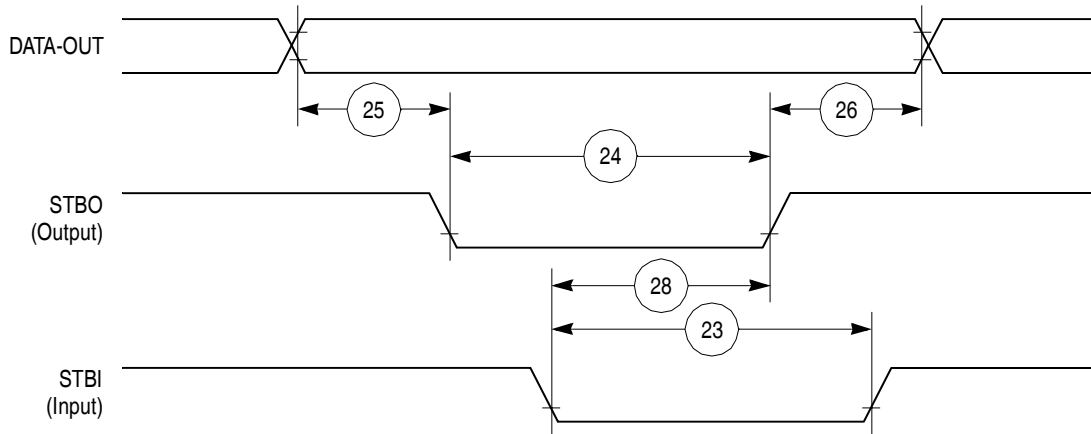


Figure 41. PIP Tx (Interlock Mode) Timing Diagram

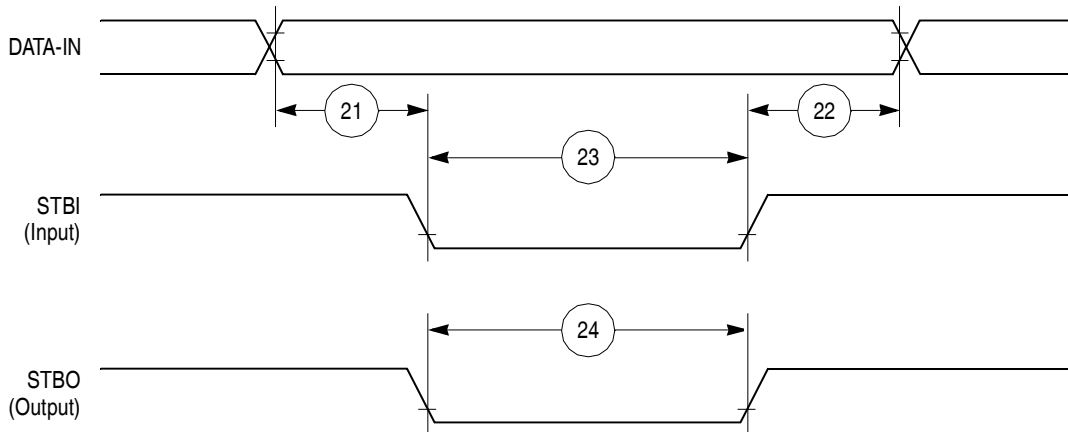


Figure 42. PIP Rx (Pulse Mode) Timing Diagram

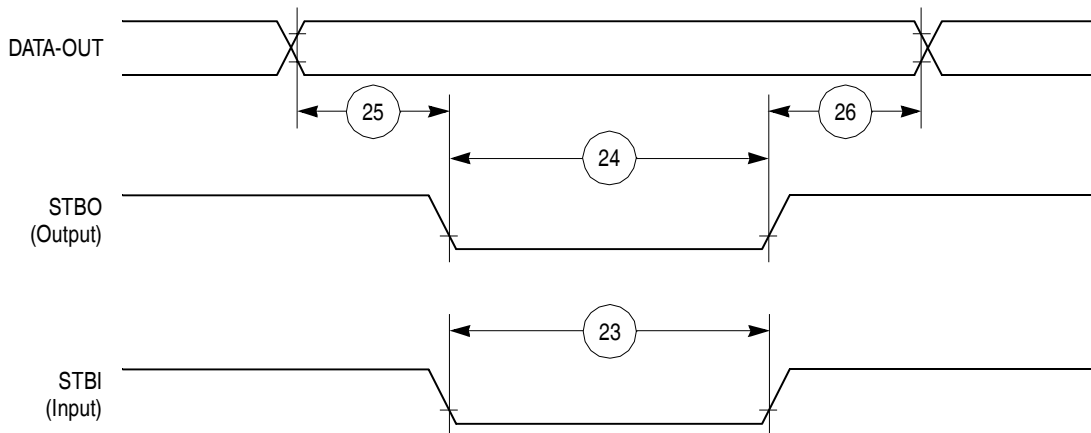


Figure 43. PIP TX (Pulse Mode) Timing Diagram

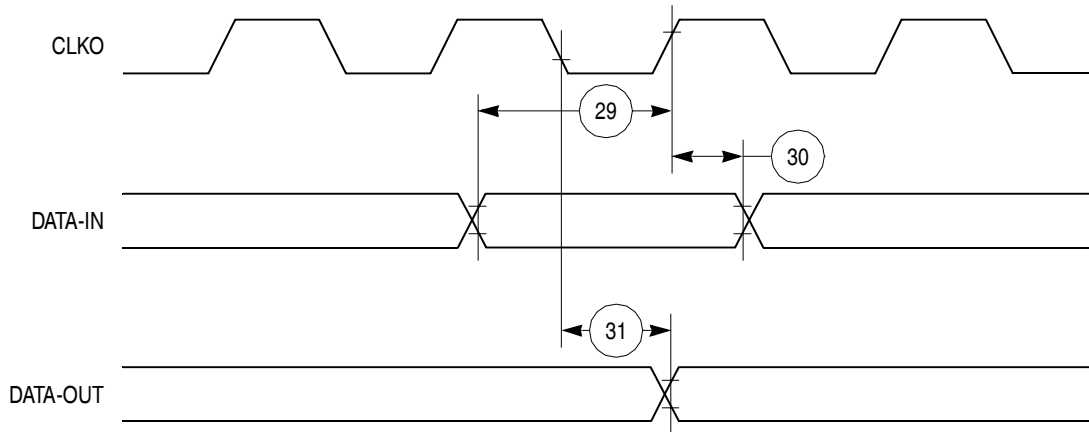


Figure 44. Parallel I/O Data-In/Data-Out Timing Diagram

11.2 Port C Interrupt AC Electrical Specifications

Table 15 provides the timings for port C interrupts.

Table 15. Port C Interrupt Timing

| Num | Characteristic | 33.34 MHz | | Unit |
|-----|--|-----------|-----|------|
| | | Min | Max | |
| 35 | Port C interrupt pulse width low (edge-triggered mode) | 55 | — | ns |
| 36 | Port C interrupt minimum time between active edges | 55 | — | ns |

Figure 45 shows the port C interrupt detection timing.

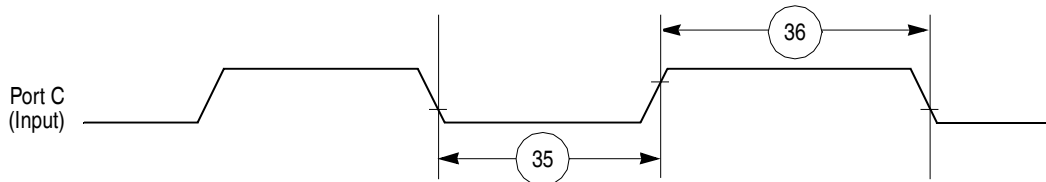


Figure 45. Port C Interrupt Detection Timing

11.3 IDMA Controller AC Electrical Specifications

Table 16 provides the IDMA controller timings as shown in Figure 46 though Figure 49.

Table 16. IDMA Controller Timing

| Num | Characteristic | All Frequencies | | Unit |
|-----|--|-----------------|-----|------|
| | | Min | Max | |
| 40 | \overline{DREQ} setup time to clock high | 7 | — | ns |
| 41 | \overline{DREQ} hold time from clock high | 3 | — | ns |
| 42 | \overline{SDACK} assertion delay from clock high | — | 12 | ns |

Table 16. IDMA Controller Timing (continued)

| Num | Characteristic | All Frequencies | | Unit |
|-----|--|-----------------|-----|------|
| | | Min | Max | |
| 43 | $\overline{\text{SDACK}}$ negation delay from clock low | — | 12 | ns |
| 44 | $\overline{\text{SDACK}}$ negation delay from $\overline{\text{TA}}$ low | — | 20 | ns |
| 45 | $\overline{\text{SDACK}}$ negation delay from clock high | — | 15 | ns |
| 46 | $\overline{\text{TA}}$ assertion to falling edge of the clock setup time (applies to external $\overline{\text{TA}}$) | 7 | — | ns |

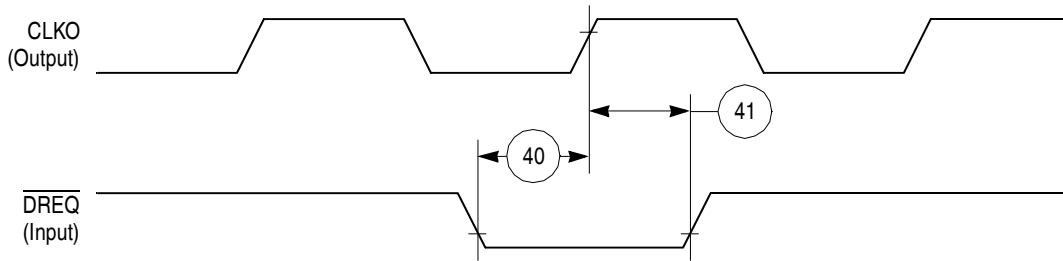


Figure 46. IDMA External Requests Timing Diagram

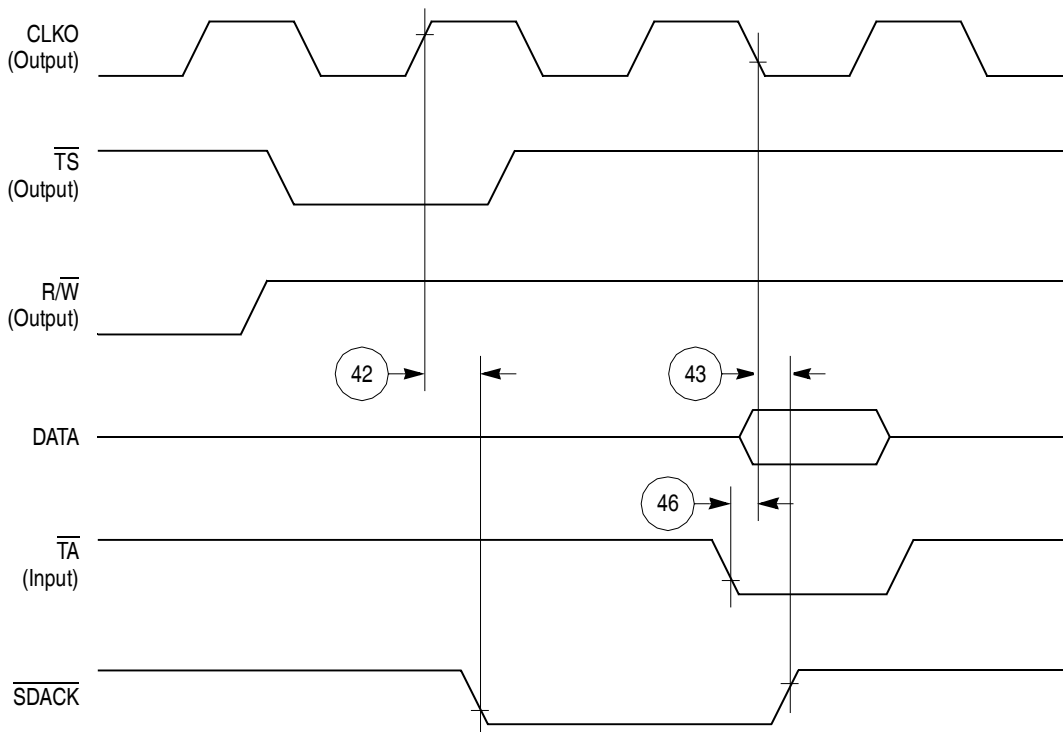


Figure 47. $\overline{\text{SDACK}}$ Timing Diagram—Peripheral Write, Externally-Generated $\overline{\text{TA}}$

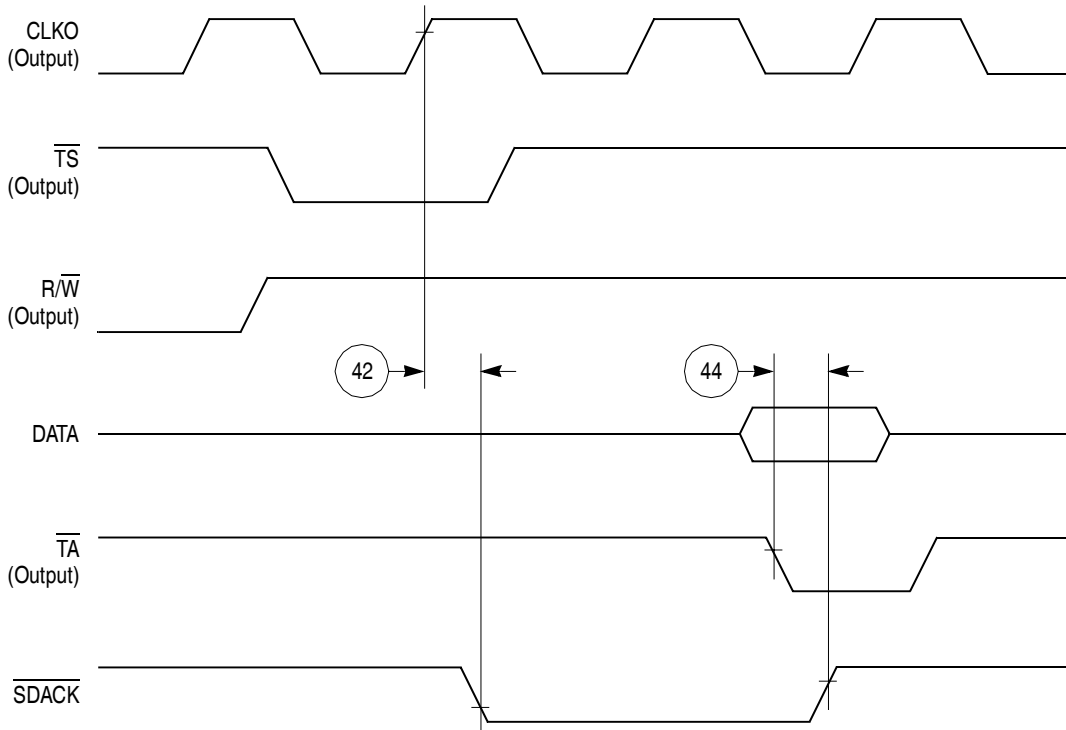


Figure 48. \overline{SDACK} Timing Diagram—Peripheral Write, Internally-Generated \overline{TA}

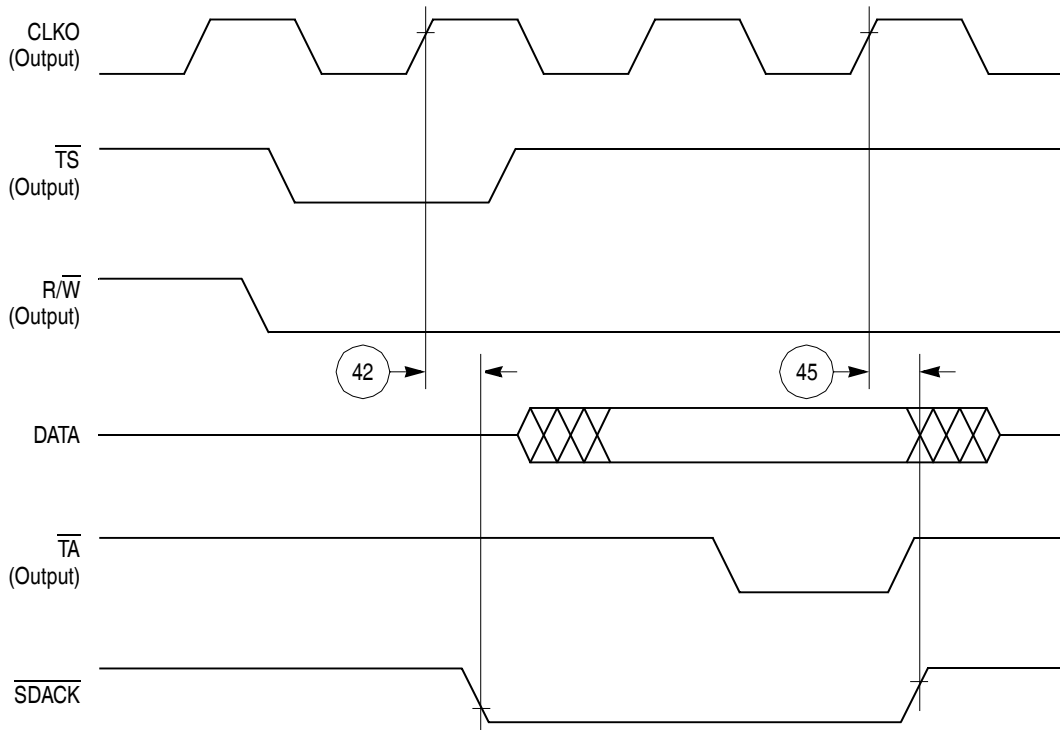


Figure 49. \overline{SDACK} Timing Diagram—Peripheral Read, Internally-Generated \overline{TA}

11.4 Baud Rate Generator AC Electrical Specifications

Table 17 provides the baud rate generator timings as shown in Figure 50.

Table 17. Baud Rate Generator Timing

| Num | Characteristic | All Frequencies | | Unit |
|-----|-------------------------|-----------------|-----|------|
| | | Min | Max | |
| 50 | BRGO rise and fall time | — | 10 | ns |
| 51 | BRGO duty cycle | 40 | 60 | % |
| 52 | BRGO cycle | 40 | — | ns |

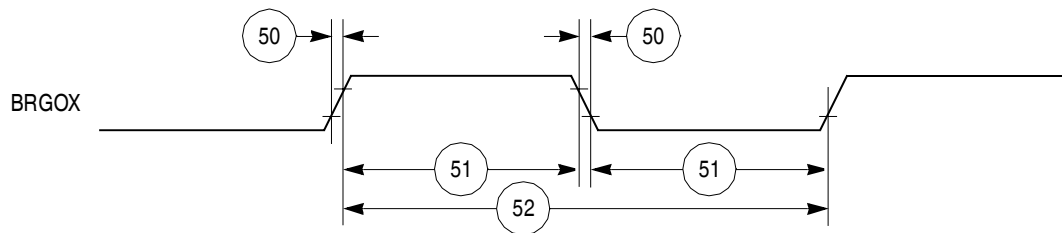


Figure 50. Baud Rate Generator Timing Diagram

11.5 Timer AC Electrical Specifications

Table 18 provides the general-purpose timer timings as shown in Figure 51.

Table 18. Timer Timing

| Num | Characteristic | All Frequencies | | Unit |
|-----|--|-----------------|-----|------|
| | | Min | Max | |
| 61 | $T_{IN/\overline{T}GATE}$ rise and fall time | 10 | — | ns |
| 62 | $T_{IN/\overline{T}GATE}$ low time | 1 | — | clk |
| 63 | $T_{IN/\overline{T}GATE}$ high time | 2 | — | clk |
| 64 | $T_{IN/\overline{T}GATE}$ cycle time | 3 | — | clk |
| 65 | CLKO low to $\overline{T}OUT$ valid | 3 | 25 | ns |

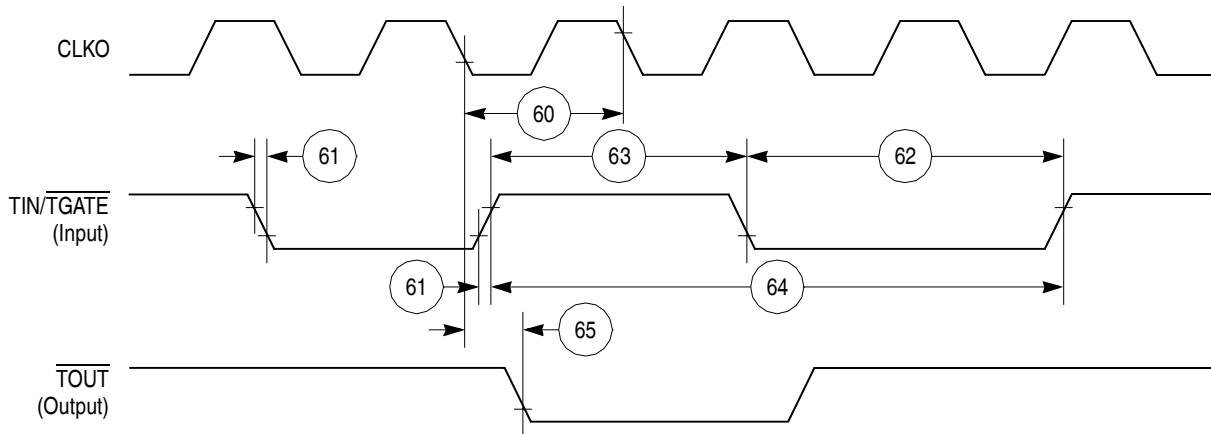


Figure 51. CPM General-Purpose Timers Timing Diagram

11.6 Serial Interface AC Electrical Specifications

Table 19 provides the serial interface timings as shown in Figure 52 through Figure 56.

Table 19. SI Timing

| Num | Characteristic | All Frequencies | | Unit |
|-----|--|-----------------|--------------------|------|
| | | Min | Max | |
| 70 | L1RCLK, L1TCLK frequency (DSC = 0) ^{1, 2} | — | SYNCCLK/2.5 | MHz |
| 71 | L1RCLK, L1TCLK width low (DSC = 0) ² | P + 10 | — | ns |
| 71a | L1RCLK, L1TCLK width high (DSC = 0) ³ | P + 10 | — | ns |
| 72 | L1TXD, L1ST(1–4), $\overline{\text{L1RQ}}$, L1CLKO rise/fall time | — | 15.00 | ns |
| 73 | L1RSYNC, L1TSYNC valid to L1CLK edge (SYNC setup time) | 20.00 | — | ns |
| 74 | L1CLK edge to L1RSYNC, L1TSYNC, invalid (SYNC hold time) | 35.00 | — | ns |
| 75 | L1RSYNC, L1TSYNC rise/fall time | — | 15.00 | ns |
| 76 | L1RXD valid to L1CLK edge (L1RXD setup time) | 17.00 | — | ns |
| 77 | L1CLK edge to L1RXD invalid (L1RXD hold time) | 13.00 | — | ns |
| 78 | L1CLK edge to L1ST(1–4) valid ⁴ | 10.00 | 45.00 | ns |
| 78A | L1SYNC valid to L1ST(1–4) valid | 10.00 | 45.00 | ns |
| 79 | L1CLK edge to L1ST(1–4) invalid | 10.00 | 45.00 | ns |
| 80 | L1CLK edge to L1TXD valid | 10.00 | 55.00 | ns |
| 80A | L1TSYNC valid to L1TXD valid ⁴ | 10.00 | 55.00 | ns |
| 81 | L1CLK edge to L1TXD high impedance | 0.00 | 42.00 | ns |
| 82 | L1RCLK, L1TCLK frequency (DSC = 1) | — | 16.00 or SYNCCLK/2 | MHz |
| 83 | L1RCLK, L1TCLK width low (DSC = 1) | P + 10 | — | ns |

Table 19. SI Timing (continued)

| Num | Characteristic | All Frequencies | | Unit |
|-----|---|-----------------|-------|--------|
| | | Min | Max | |
| 83a | L1RCLK, L1TCLK width high (DSC = 1) ³ | P + 10 | — | ns |
| 84 | L1CLK edge to L1CLKO valid (DSC = 1) | — | 30.00 | ns |
| 85 | $\overline{L1RQ}$ valid before falling edge of L1TSYNC ⁴ | 1.00 | — | L1TCLK |
| 86 | L1GR setup time ² | 42.00 | — | ns |
| 87 | L1GR hold time | 42.00 | — | ns |
| 88 | L1CLK edge to L1SYNC valid (FSD = 00) CNT = 0000, BYT = 0, DSC = 0) | — | 0.00 | ns |

¹ The ratio SyncCLK/L1RCLK must be greater than 2.5/1.

² These specs are valid for IDL mode only.

³ Where P = 1/CLKOUT. Thus for a 25-MHz CLKOUT rate, P = 40 ns.

⁴ These strobes and TxD on the first bit of the frame become valid after L1CLK edge or L1SYNC, whichever is later.

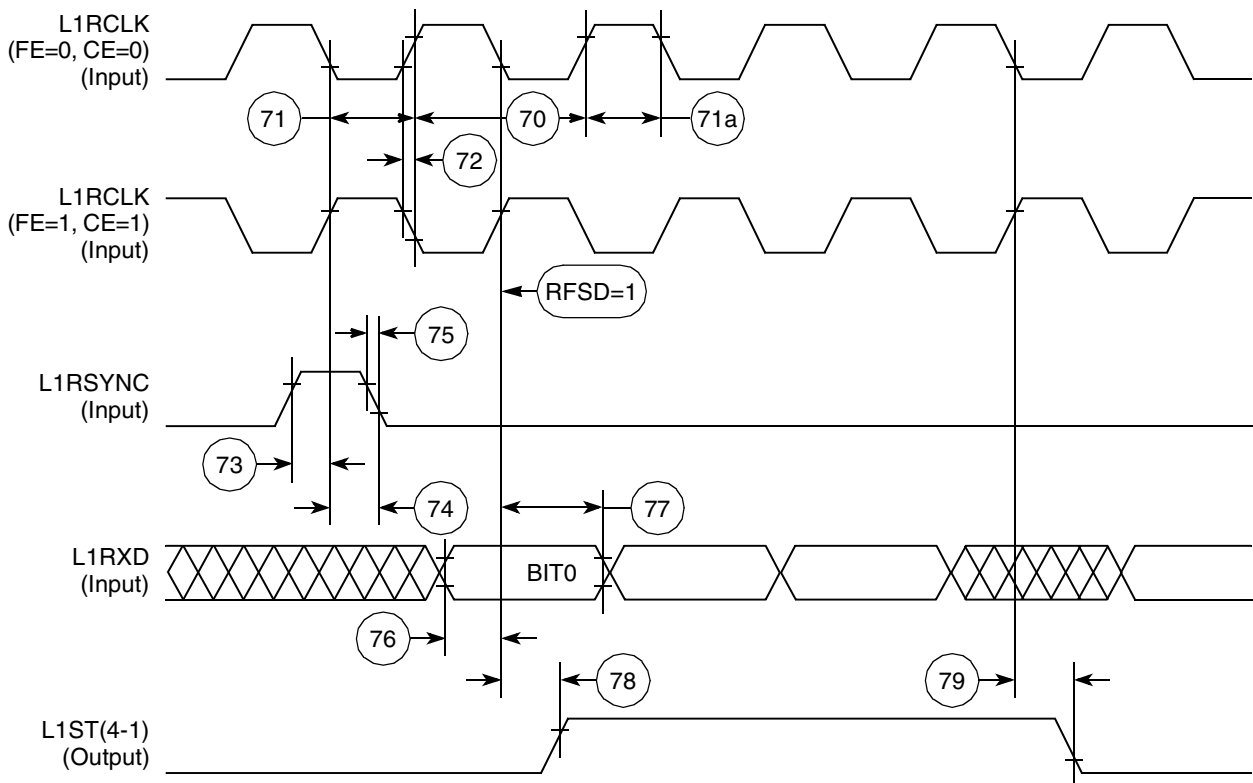


Figure 52. SI Receive Timing Diagram with Normal Clocking (DSC = 0)

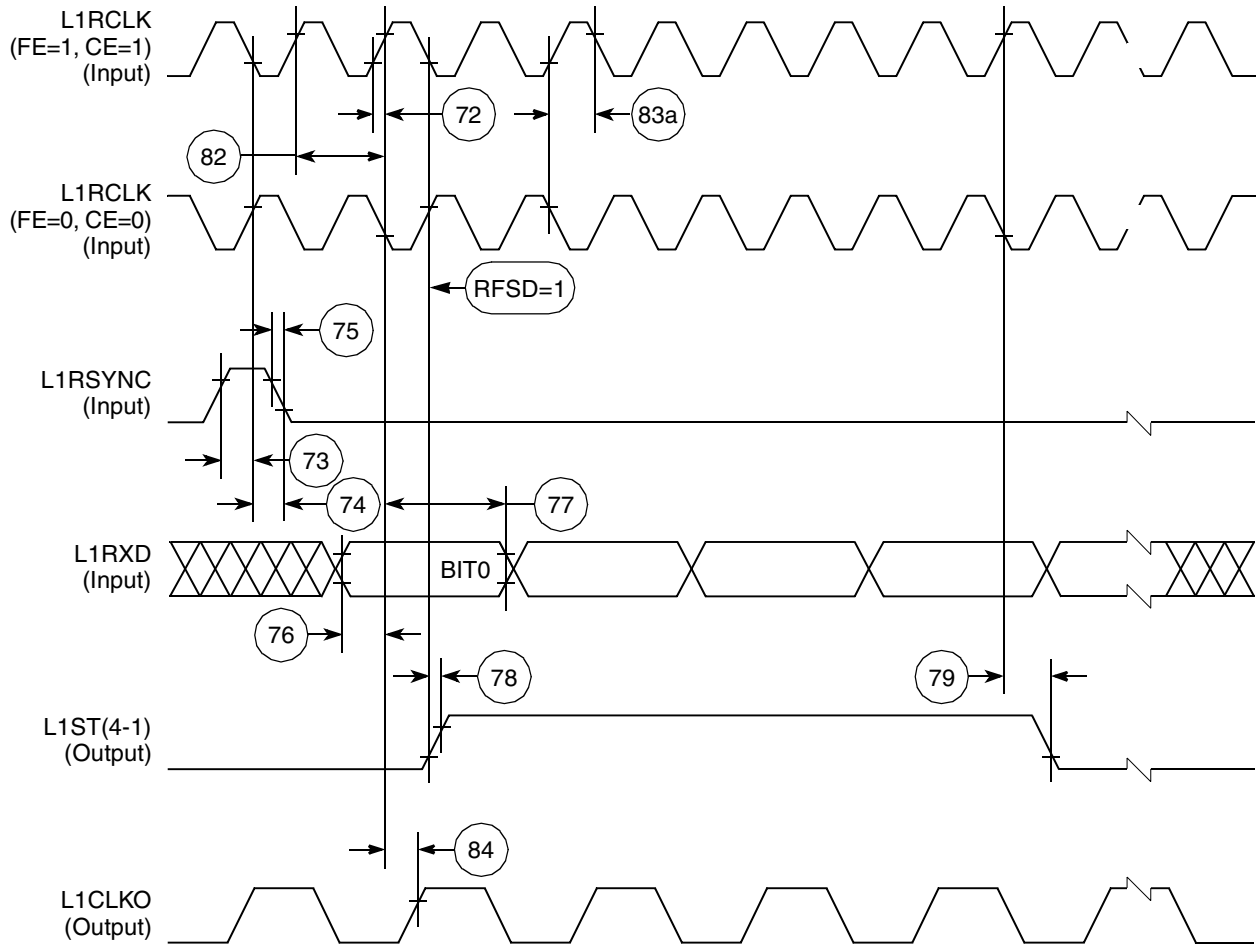


Figure 53. SI Receive Timing with Double-Speed Clocking (DSC = 1)

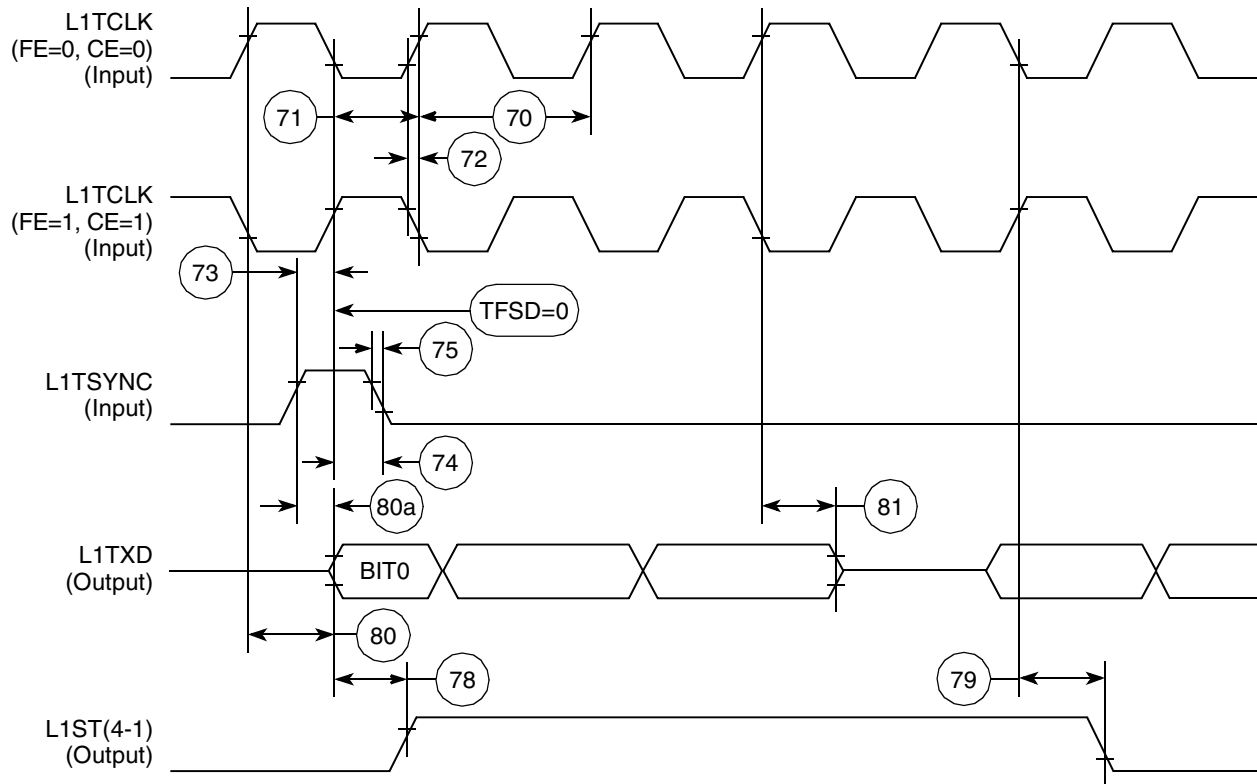


Figure 54. SI Transmit Timing Diagram (DSC = 0)

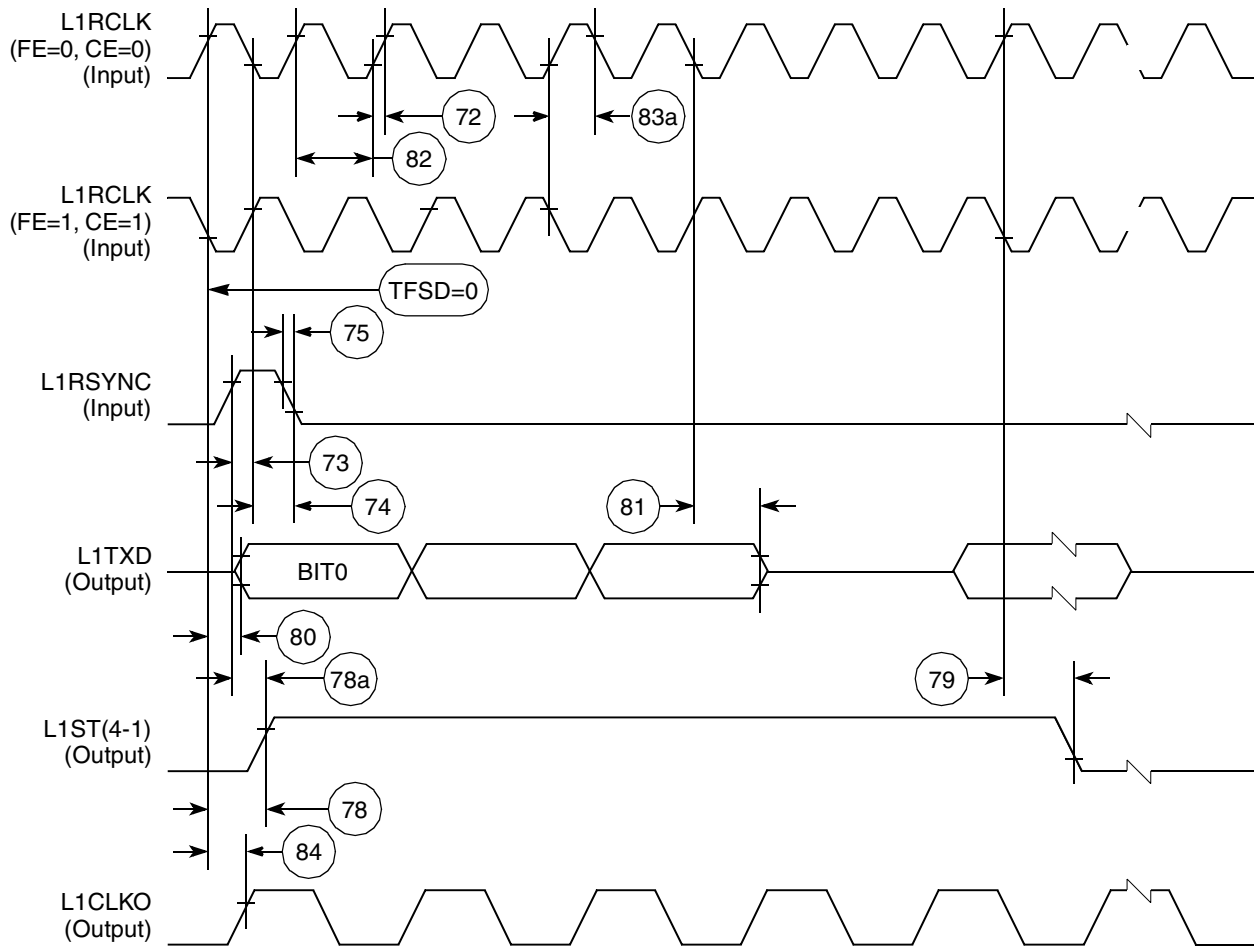


Figure 55. SI Transmit Timing with Double Speed Clocking (DSC = 1)

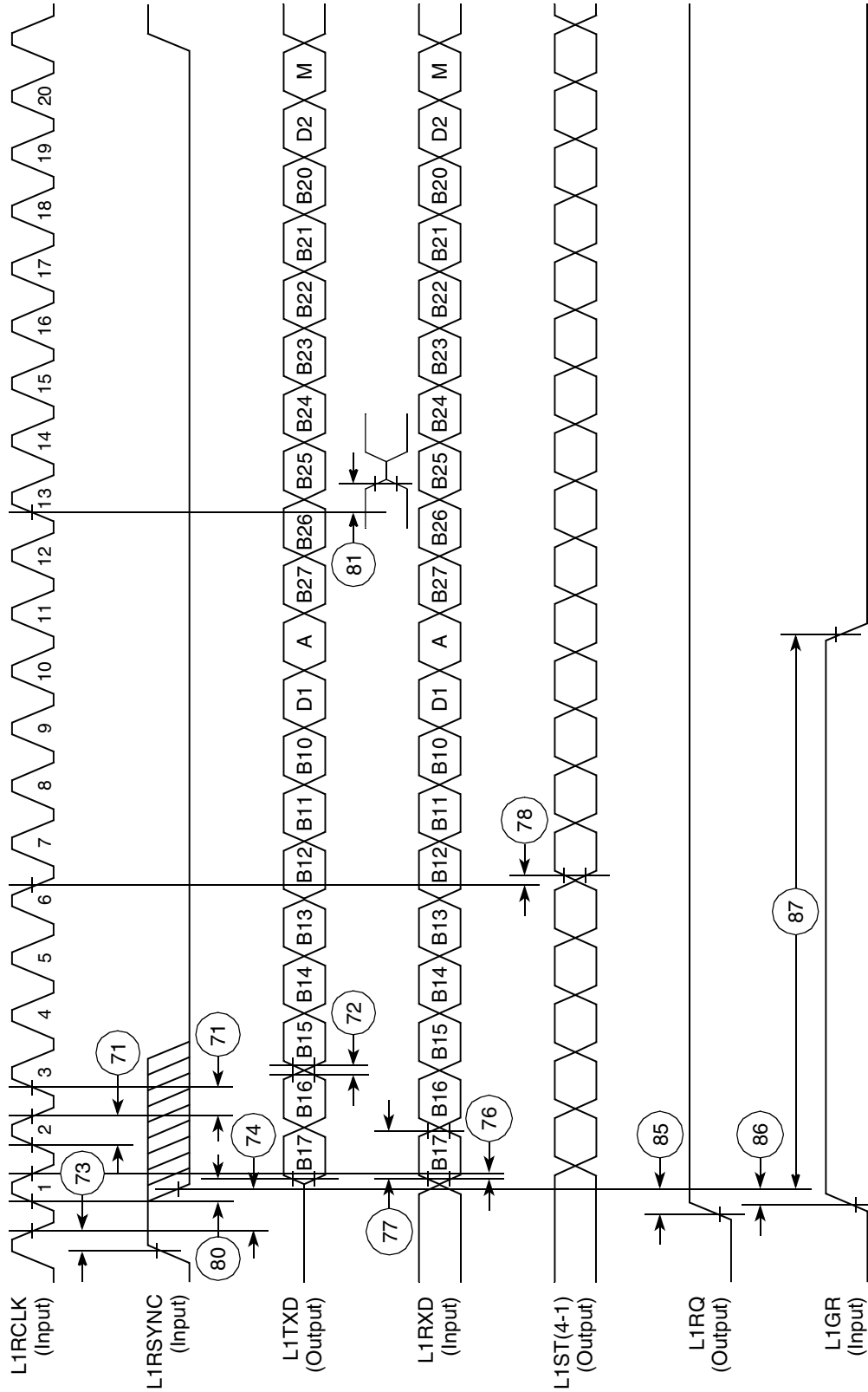


Figure 56. IDL Timing

11.7 SCC in NMSI Mode Electrical Specifications

Table 20 provides the NMSI external clock timing.

Table 20. NMSI External Clock Timing

| Num | Characteristic | All Frequencies | | Unit |
|-----|---|-----------------|-------|------|
| | | Min | Max | |
| 100 | RCLK1 and TCLK1 width high ¹ | 1/SYNCCLK | — | ns |
| 101 | RCLK1 and TCLK1 width low | 1/SYNCCLK +5 | — | ns |
| 102 | RCLK1 and TCLK1 rise/fall time | — | 15.00 | ns |
| 103 | TXD1 active delay (from TCLK1 falling edge) | 0.00 | 50.00 | ns |
| 104 | $\overline{RTS1}$ active/inactive delay (from TCLK1 falling edge) | 0.00 | 50.00 | ns |
| 105 | $\overline{CTS1}$ setup time to TCLK1 rising edge | 5.00 | — | ns |
| 106 | RXD1 setup time to RCLK1 rising edge | 5.00 | — | ns |
| 107 | RXD1 hold time from RCLK1 rising edge ² | 5.00 | — | ns |
| 108 | $\overline{CD1}$ setup Time to RCLK1 rising edge | 5.00 | — | ns |

¹ The ratios SyncCLK/RCLK1 and SyncCLK/TCLK1 must be greater than or equal to 2.25/1.

² Also applies to \overline{CD} and \overline{CTS} hold time when they are used as an external sync signal.

Table 21 provides the NMSI internal clock timing.

Table 21. NMSI Internal Clock Timing

| Num | Characteristic | All Frequencies | | Unit |
|-----|---|-----------------|-----------|------|
| | | Min | Max | |
| 100 | RCLK1 and TCLK1 frequency ¹ | 0.00 | SYNCCLK/3 | MHz |
| 102 | RCLK1 and TCLK1 rise/fall time | — | — | ns |
| 103 | TXD1 active delay (from TCLK1 falling edge) | 0.00 | 30.00 | ns |
| 104 | $\overline{RTS1}$ active/inactive delay (from TCLK1 falling edge) | 0.00 | 30.00 | ns |
| 105 | $\overline{CTS1}$ setup time to TCLK1 rising edge | 40.00 | — | ns |
| 106 | RXD1 setup time to RCLK1 rising edge | 40.00 | — | ns |
| 107 | RXD1 hold time from RCLK1 rising edge ² | 0.00 | — | ns |
| 108 | $\overline{CD1}$ setup time to RCLK1 rising edge | 40.00 | — | ns |

¹ The ratios SyncCLK/RCLK1 and SyncCLK/TCLK1 must be greater or equal to 3/1.

² Also applies to \overline{CD} and \overline{CTS} hold time when they are used as an external sync signals.

Figure 57 through Figure 59 show the NMSI timings.

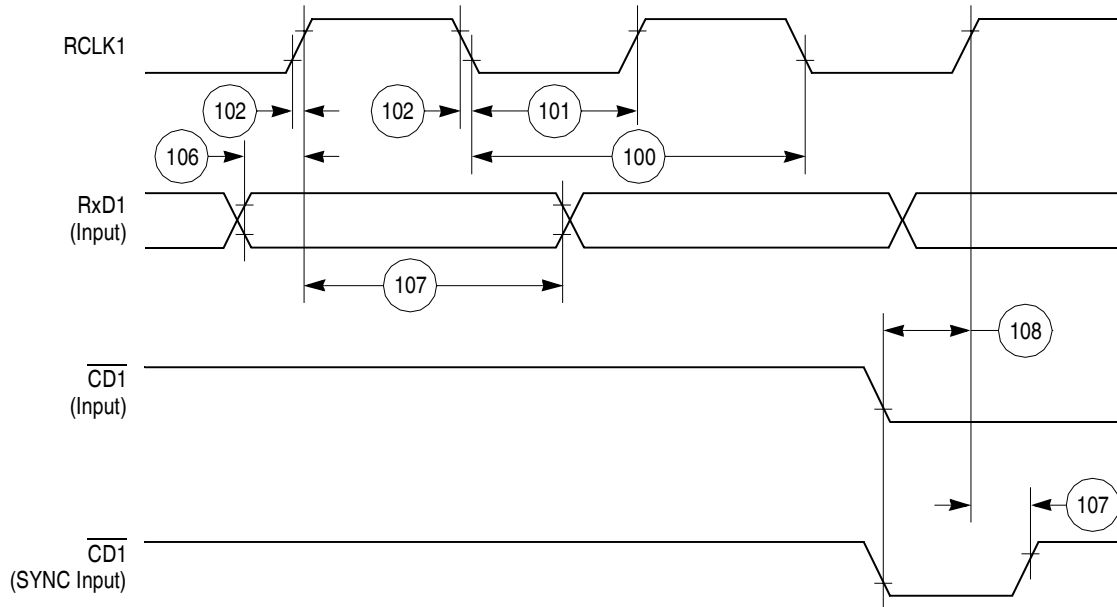


Figure 57. SCC NMSI Receive Timing Diagram

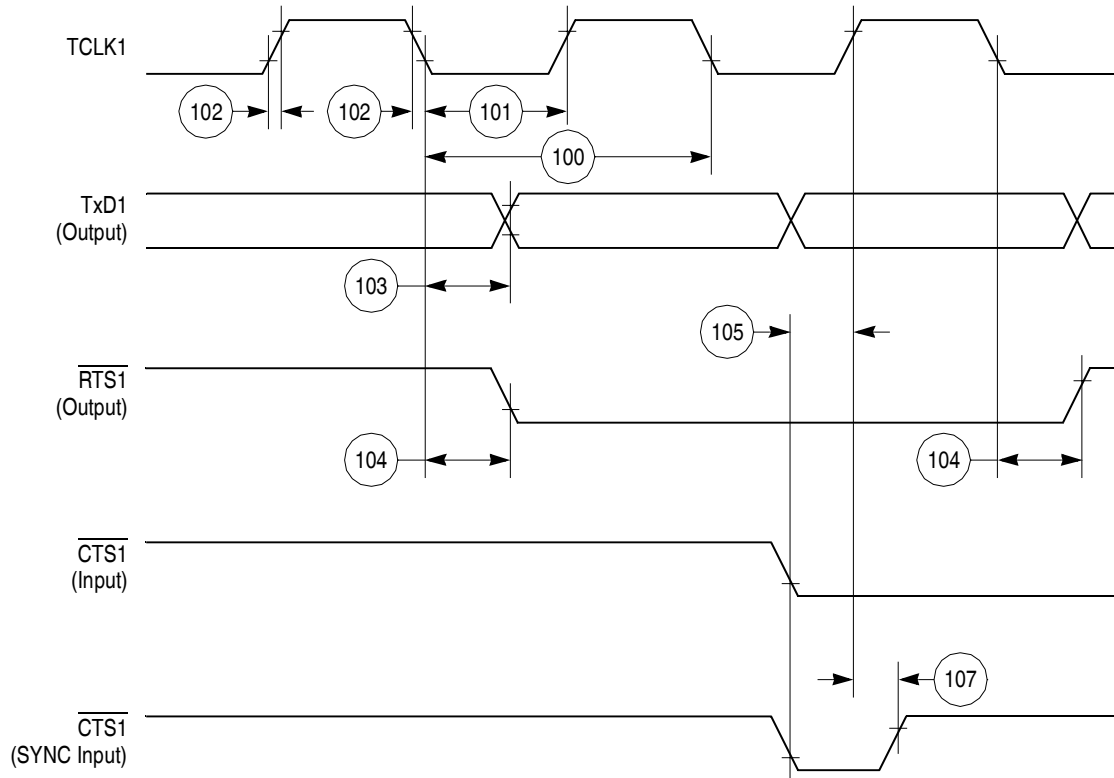


Figure 58. SCC NMSI Transmit Timing Diagram

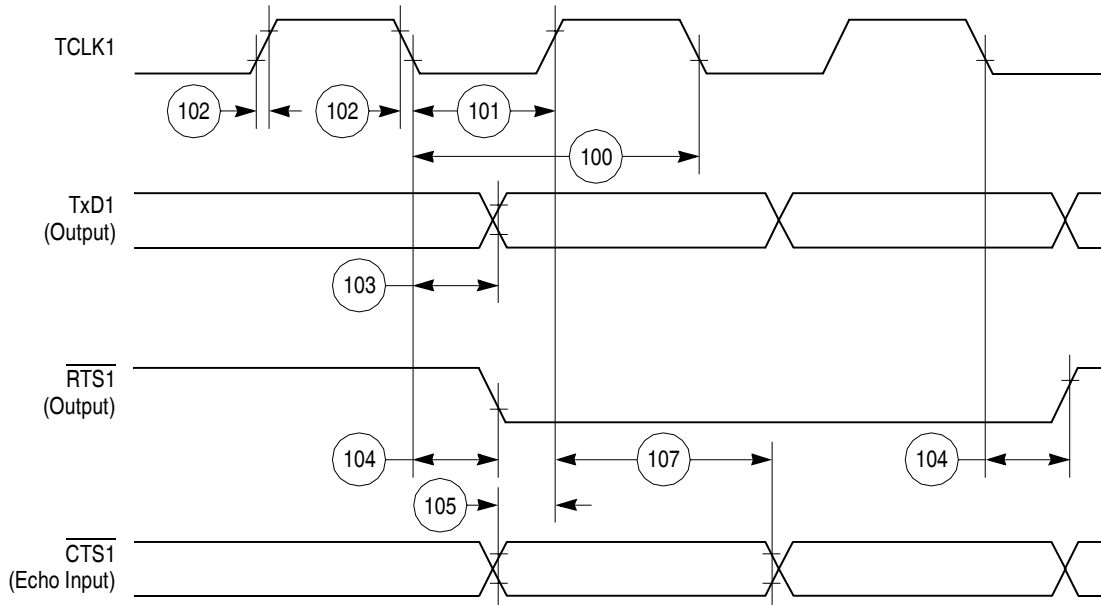


Figure 59. HDLC Bus Timing Diagram

11.8 Ethernet Electrical Specifications

Table 22 provides the Ethernet timings as shown in Figure 60 through Figure 64.

Table 22. Ethernet Timing

| Num | Characteristic | All Frequencies | | Unit |
|-----|---|-----------------|-----|------|
| | | Min | Max | |
| 120 | CLSN width high | 40 | — | ns |
| 121 | RCLK1 rise/fall time | — | 15 | ns |
| 122 | RCLK1 width low | 40 | — | ns |
| 123 | RCLK1 clock period ¹ | 80 | 120 | ns |
| 124 | RXD1 setup time | 20 | — | ns |
| 125 | RXD1 hold time | 5 | — | ns |
| 126 | RENA active delay (from RCLK1 rising edge of the last data bit) | 10 | — | ns |
| 127 | RENA width low | 100 | — | ns |
| 128 | TCLK1 rise/fall time | — | 15 | ns |
| 129 | TCLK1 width low | 40 | — | ns |
| 130 | TCLK1 clock period ¹ | 99 | 101 | ns |
| 131 | TXD1 active delay (from TCLK1 rising edge) | 10 | 50 | ns |
| 132 | TXD1 inactive delay (from TCLK1 rising edge) | 10 | 50 | ns |
| 133 | TENA active delay (from TCLK1 rising edge) | 10 | 50 | ns |

Table 22. Ethernet Timing (continued)

| Num | Characteristic | All Frequencies | | Unit |
|-----|--|-----------------|-----|------|
| | | Min | Max | |
| 134 | TENA inactive delay (from TCLK1 rising edge) | 10 | 50 | ns |
| 135 | $\overline{\text{RSTRT}}$ active delay (from TCLK1 falling edge) | 10 | 50 | ns |
| 136 | $\overline{\text{RSTRT}}$ inactive delay (from TCLK1 falling edge) | 10 | 50 | ns |
| 137 | $\overline{\text{REJECT}}$ width low | 1 | — | CLK |
| 138 | CLKO1 low to $\overline{\text{SDACK}}$ asserted ² | — | 20 | ns |
| 139 | CLKO1 low to $\overline{\text{SDACK}}$ negated ² | — | 20 | ns |

¹ The ratios SyncCLK/RCLK1 and SyncCLK/TCLK1 must be greater or equal to 2/1.

² $\overline{\text{SDACK}}$ is asserted whenever the SDMA writes the incoming frame DA into memory.

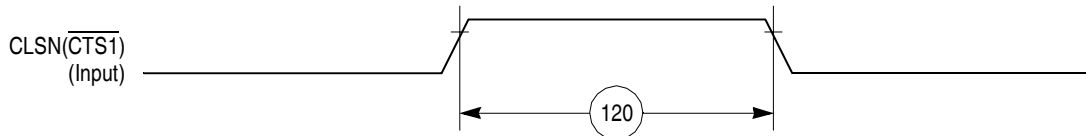


Figure 60. Ethernet Collision Timing Diagram

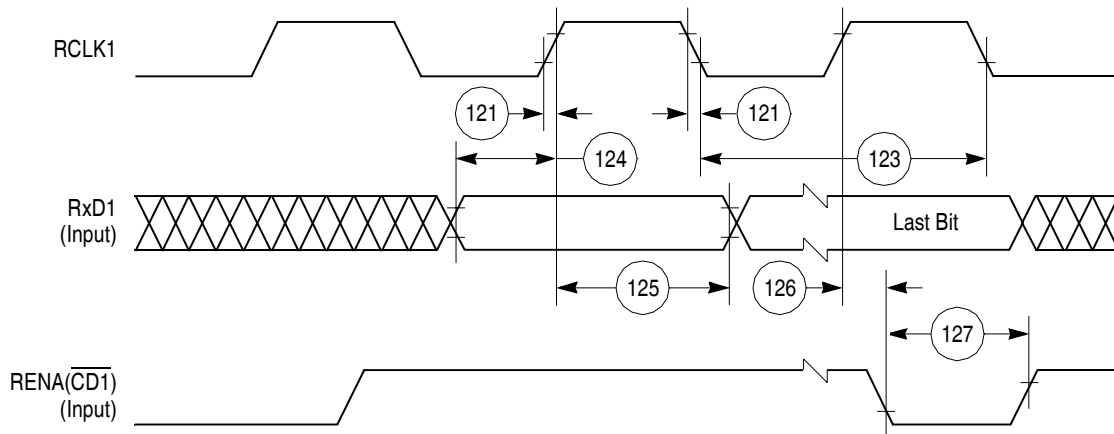
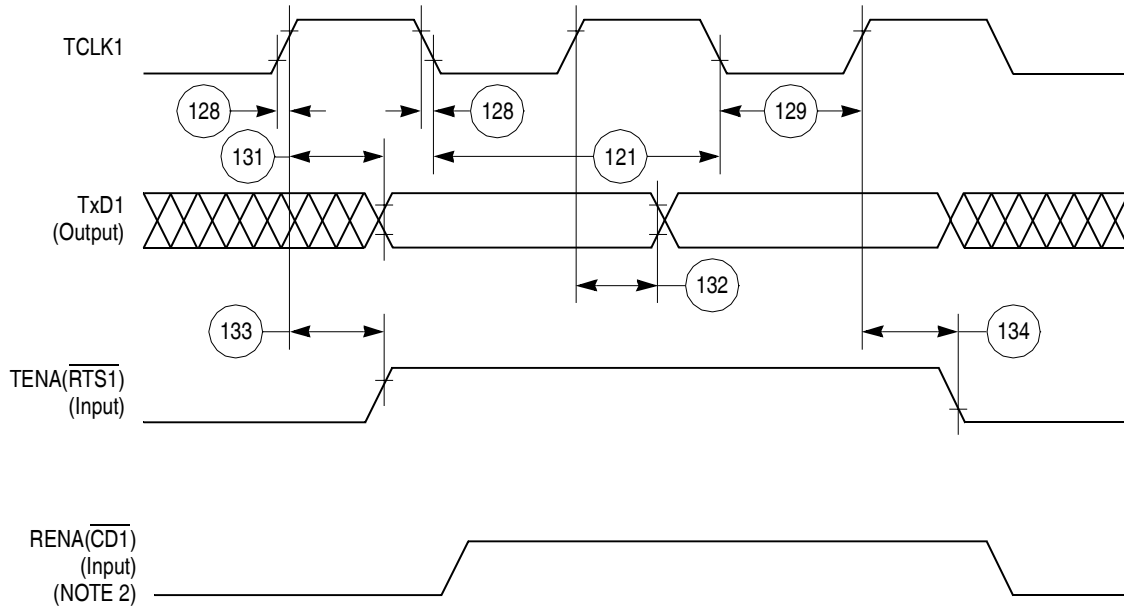


Figure 61. Ethernet Receive Timing Diagram



- NOTES:
1. Transmit clock invert (TCI) bit in GSMR is set.
 2. If RENA is deasserted before TENA, or RENA is not asserted at all during transmit, then the CSL bit is set in the buffer descriptor at the end of the frame transmission.

Figure 62. Ethernet Transmit Timing Diagram

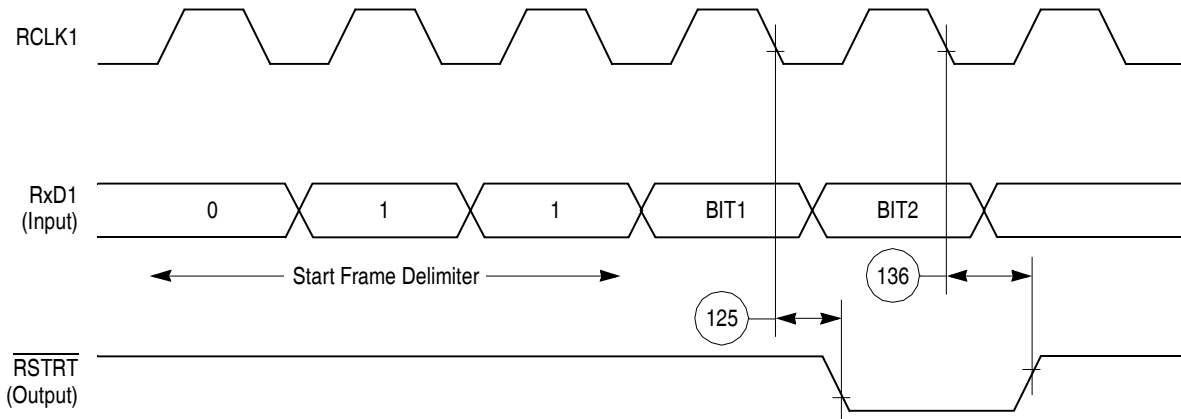


Figure 63. CAM Interface Receive Start Timing Diagram



Figure 64. CAM Interface REJECT Timing Diagram

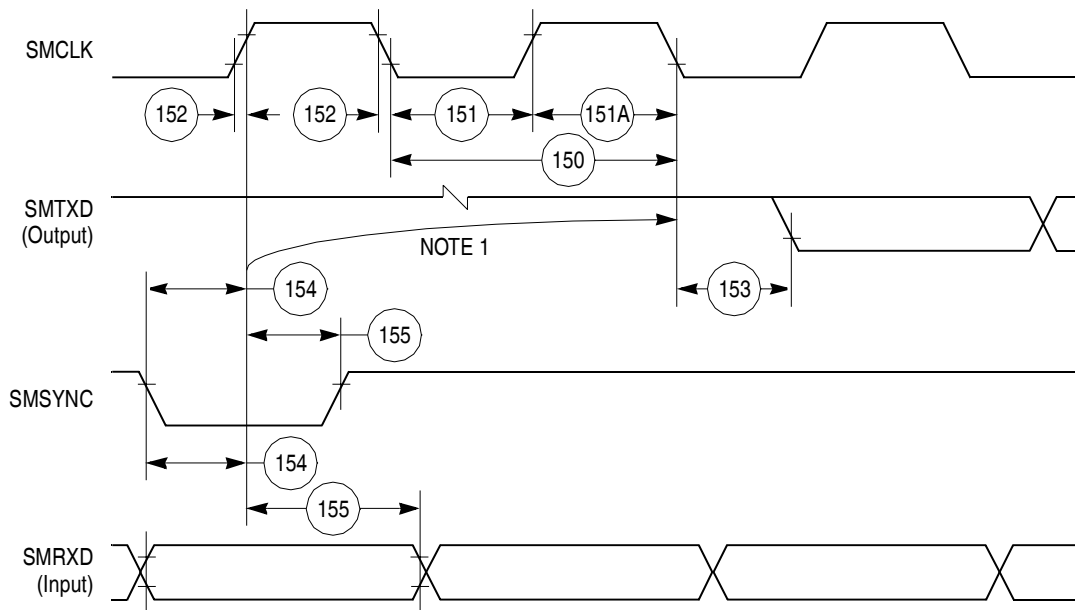
11.9 SMC Transparent AC Electrical Specifications

Table 23 provides the SMC transparent timings as shown in Figure 65.

Table 23. SMC Transparent Timing

| Num | Characteristic | All Frequencies | | Unit |
|------|--|-----------------|-----|------|
| | | Min | Max | |
| 150 | SMCLK clock period ¹ | 100 | — | ns |
| 151 | SMCLK width low | 50 | — | ns |
| 151A | SMCLK width high | 50 | — | ns |
| 152 | SMCLK rise/fall time | — | 15 | ns |
| 153 | SMTXD active delay (from SMCLK falling edge) | 10 | 50 | ns |
| 154 | SMRXD/SMSYNC setup time | 20 | — | ns |
| 155 | RXD1/SMSYNC hold time | 5 | — | ns |

¹ SyncCLK must be at least twice as fast as SMCLK.



NOTE:
1. This delay is equal to an integer number of character-length clocks.

Figure 65. SMC Transparent Timing Diagram

11.10 SPI Master AC Electrical Specifications

Table 24 provides the SPI master timings as shown in Figure 66 through Figure 67.

Table 24. SPI Master Timing

| Num | Characteristic | All Frequencies | | Unit |
|-----|-------------------------------------|-----------------|------|-----------|
| | | Min | Max | |
| 160 | MASTER cycle time | 4 | 1024 | t_{cyc} |
| 161 | MASTER clock (SCK) high or low time | 2 | 512 | t_{cyc} |
| 162 | MASTER data setup time (inputs) | 15 | — | ns |
| 163 | Master data hold time (inputs) | 0 | — | ns |
| 164 | Master data valid (after SCK edge) | — | 10 | ns |
| 165 | Master data hold time (outputs) | 0 | — | ns |
| 166 | Rise time output | — | 15 | ns |
| 167 | Fall time output | — | 15 | ns |

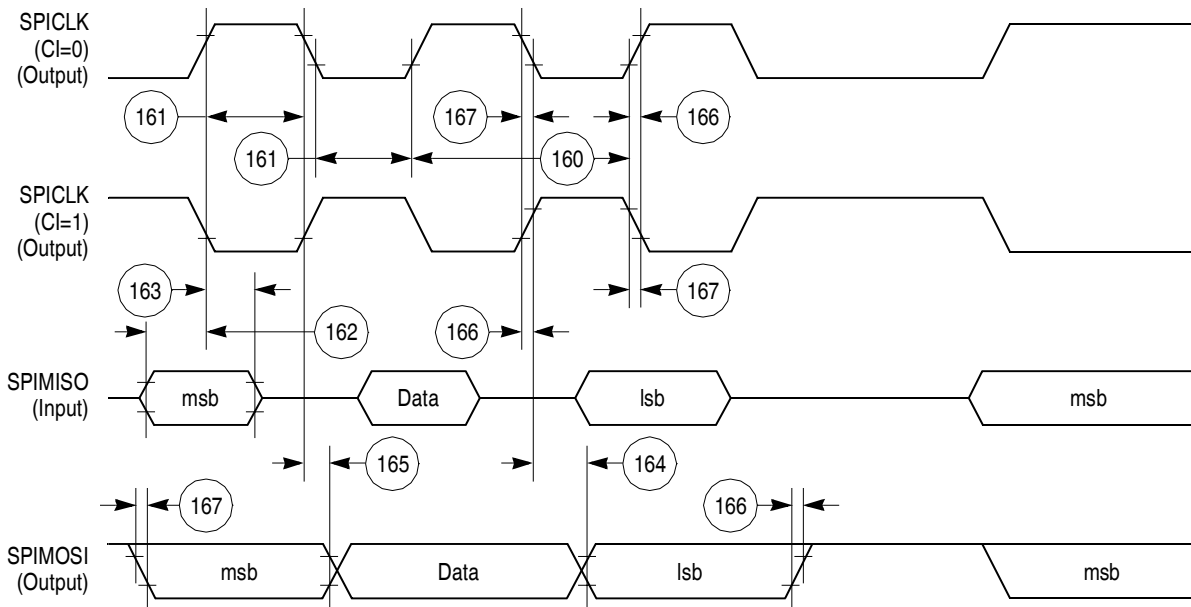


Figure 66. SPI Master (CP = 0) Timing Diagram

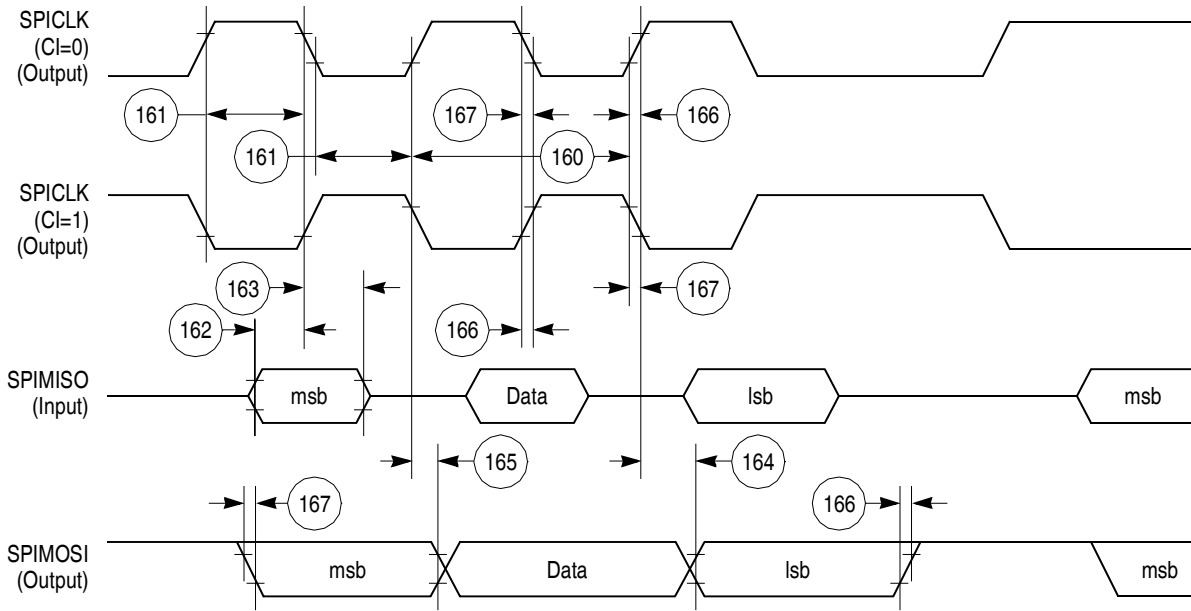


Figure 67. SPI Master (CP = 1) Timing Diagram

11.11 SPI Slave AC Electrical Specifications

Table 25 provides the SPI slave timings as shown in Figure 68 though Figure 69.

Table 25. SPI Slave Timing

| Num | Characteristic | All Frequencies | | Unit |
|-----|---|-----------------|-----|-----------|
| | | Min | Max | |
| 170 | Slave cycle time | 2 | — | t_{cyc} |
| 171 | Slave enable lead time | 15 | — | ns |
| 172 | Slave enable lag time | 15 | — | ns |
| 173 | Slave clock (SPICLK) high or low time | 1 | — | t_{cyc} |
| 174 | Slave sequential transfer delay (does not require deselect) | 1 | — | t_{cyc} |
| 175 | Slave data setup time (inputs) | 20 | — | ns |
| 176 | Slave data hold time (inputs) | 20 | — | ns |
| 177 | Slave access time | — | 50 | ns |

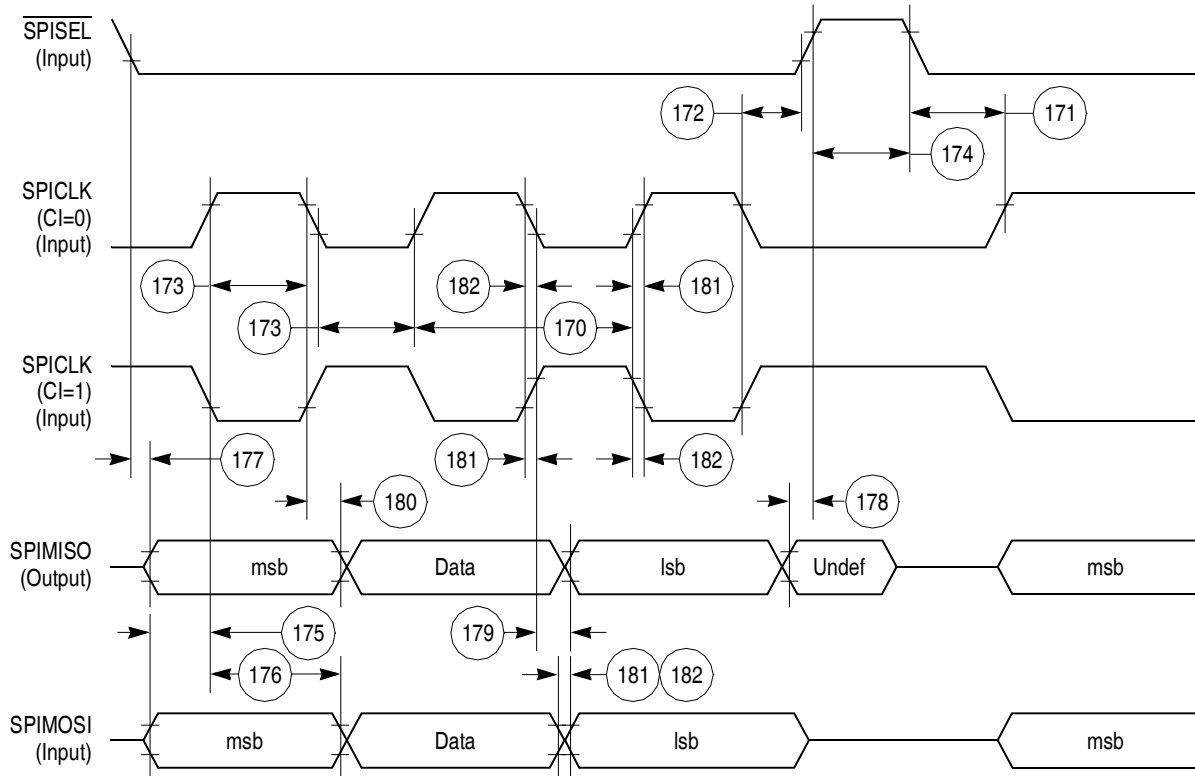


Figure 68. SPI Slave (CP = 0) Timing Diagram

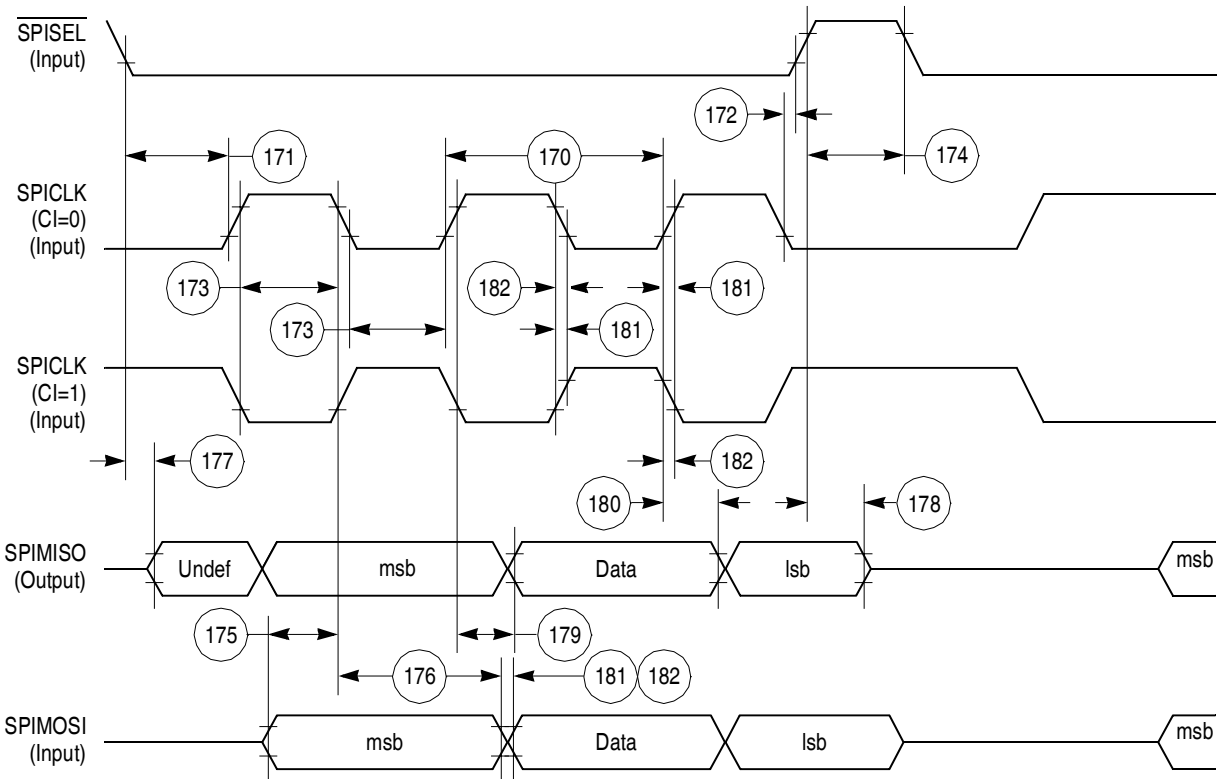


Figure 69. SPI Slave (CP = 1) Timing Diagram

11.12 I²C AC Electrical Specifications

Table 26 provides the I²C (SCL < 100 KHz) timings.

Table 26. I²C Timing (SCL < 100 KHz)

| Num | Characteristic | All Frequencies | | Unit |
|-----|---|-----------------|-----|------|
| | | Min | Max | |
| 200 | SCL clock frequency (slave) | 0 | 100 | kHz |
| 200 | SCL clock frequency (master) ¹ | 1.5 | 100 | kHz |
| 202 | Bus free time between transmissions | 4.7 | — | μs |
| 203 | Low period of SCL | 4.7 | — | μs |
| 204 | High period of SCL | 4.0 | — | μs |
| 205 | Start condition setup time | 4.7 | — | μs |
| 206 | Start condition hold time | 4.0 | — | μs |
| 207 | Data hold time | 0 | — | μs |
| 208 | Data setup time | 250 | — | ns |
| 209 | SDL/SCL rise time | — | 1 | μs |
| 210 | SDL/SCL fall time | — | 300 | ns |
| 211 | Stop condition setup time | 4.7 | — | μs |

¹ SCL frequency is given by $SCL = BRGCLK_frequency / ((BRG\ register + 3) * pre_scaler * 2)$.
The ratio $SyncClk/(BRGCLK/pre_scaler)$ must be greater or equal to 4/1.

Table 27 provides the I²C (SCL > 100 kHz) timings.

Table 27. I²C Timing (SCL > 100 kHz)

| Num | Characteristic | Expression | All Frequencies | | Unit |
|-----|---|------------|-----------------|---------------|------|
| | | | Min | Max | |
| 200 | SCL clock frequency (slave) | fSCL | 0 | BRGCLK/48 | Hz |
| 200 | SCL clock frequency (master) ¹ | fSCL | BRGCLK/16512 | BRGCLK/48 | Hz |
| 202 | Bus free time between transmissions | — | 1/(2.2 * fSCL) | — | s |
| 203 | Low period of SCL | — | 1/(2.2 * fSCL) | — | s |
| 204 | High period of SCL | — | 1/(2.2 * fSCL) | — | s |
| 205 | Start condition setup time | — | 1/(2.2 * fSCL) | — | s |
| 206 | Start condition hold time | — | 1/(2.2 * fSCL) | — | s |
| 207 | Data hold time | — | 0 | — | s |
| 208 | Data setup time | — | 1/(40 * fSCL) | — | s |
| 209 | SDL/SCL rise time | — | — | 1/(10 * fSCL) | s |
| 210 | SDL/SCL fall time | — | — | 1/(33 * fSCL) | s |
| 211 | Stop condition setup time | — | 1/2(2.2 * fSCL) | — | s |

¹ SCL frequency is given by $SCL = BrgClk_frequency / ((BRG\ register + 3) * pre_scaler * 2)$.
The ratio $SyncClk/(Brg_Clk/pre_scaler)$ must be greater or equal to 4/1.

Figure 70 shows the I²C bus timing.

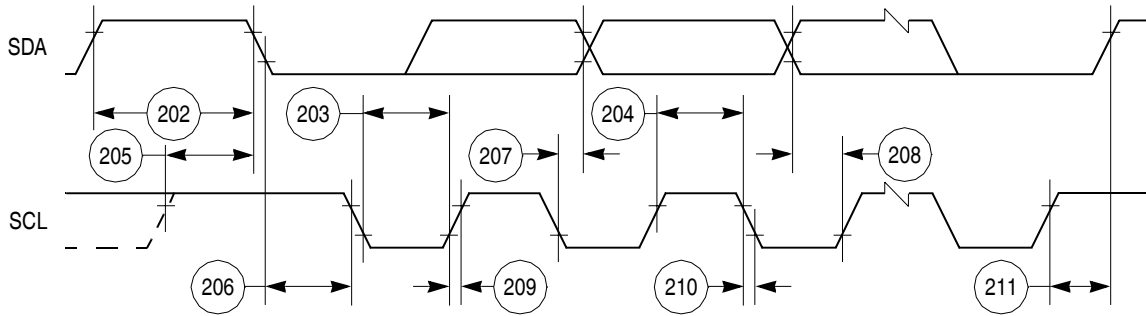


Figure 70. I²C Bus Timing Diagram

12 UTOPIA AC Electrical Specifications

Table 28 shows the AC electrical specifications for the UTOPIA interface.

Table 28. UTOPIA AC Electrical Specifications

| Num | Signal Characteristic | Direction | Min | Max | Unit |
|-----|--|-----------|------|-------|------|
| U1 | UtpClk rise/fall time (Internal clock option) | Output | | 4 ns | ns |
| | Duty cycle | | 50 | 50 | % |
| | Frequency | | | 33 | MHz |
| U1a | UtpClk rise/fall time (external clock option) | Input | | 4ns | ns |
| | Duty cycle | | 40 | 60 | % |
| | Frequency | | | 33 | MHz |
| U2 | $\overline{\text{RxEnb}}$ and $\overline{\text{TxEnb}}$ active delay | Output | 2 ns | 16 ns | ns |
| U3 | UTPB, SOC, Rxclav and Txclav setup time | Input | 4 ns | | ns |
| U4 | UTPB, SOC, Rxclav and Txclav hold time | Input | 1 ns | | ns |
| U5 | UTPB, SOC active delay (and PHREQ and PHSEL active delay in MPHY mode) | Output | 2 ns | 16 ns | ns |

Figure 71 shows signal timings during UTOPIA receive operations.

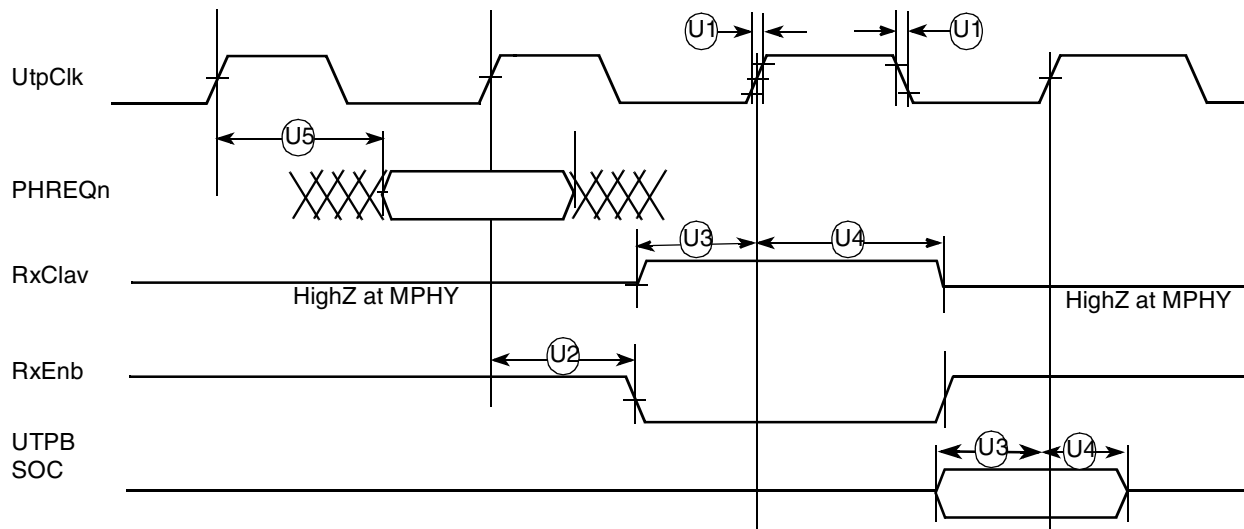


Figure 71. UTOPIA Receive Timing

Figure 72 shows signal timings during UTOPIA transmit operations.

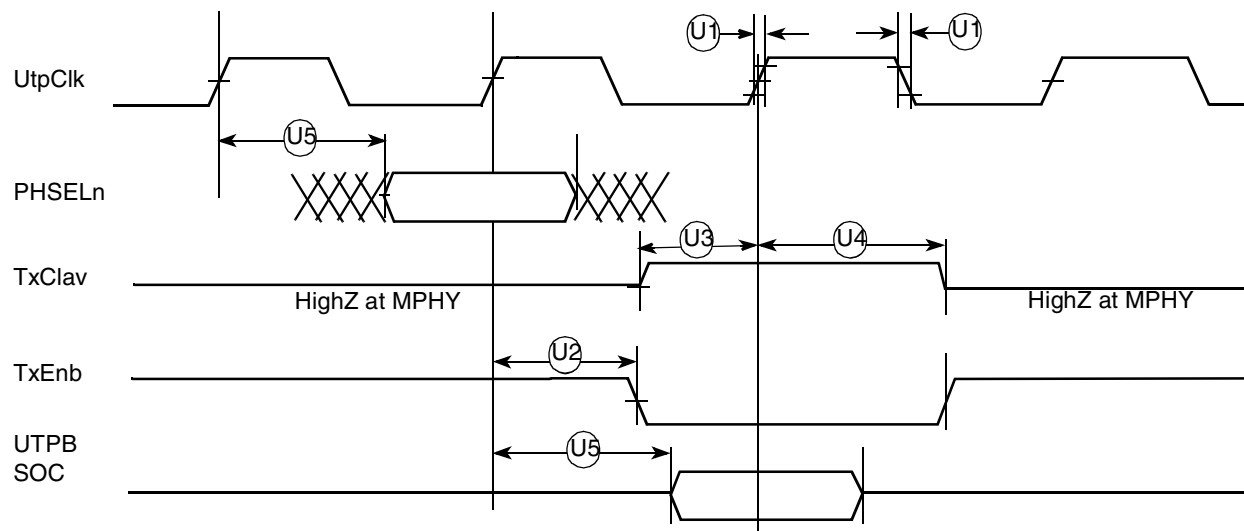


Figure 72. UTOPIA Transmit Timing

13 FEC Electrical Characteristics

This section provides the AC electrical specifications for the Fast Ethernet controller (FEC). Note that the timing specifications for the MII signals are independent of system clock frequency (part speed designation). Furthermore, MII signals use TTL signal levels compatible with devices operating at either 5.0 or 3.3 V.

13.1 MII Receive Signal Timing (MII_RXD[3:0], MII_RX_DV, MII_RX_ER, MII_RX_CLK)

The receiver functions correctly up to a MII_RX_CLK maximum frequency of 25MHz +1%. There is no minimum frequency requirement. In addition, the processor clock frequency must exceed the MII_RX_CLK frequency - 1%.

Table 29 provides information on the MII receive signal timing.

Table 29. MII Receive Signal Timing

| Num | Characteristic | Min | Max | Unit |
|-----|--|-----|-----|-------------------|
| M1 | MII_RXD[3:0], MII_RX_DV, MII_RX_ER to MII_RX_CLK setup | 5 | — | ns |
| M2 | MII_RX_CLK to MII_RXD[3:0], MII_RX_DV, MII_RX_ER hold | 5 | — | ns |
| M3 | MII_RX_CLK pulse width high | 35% | 65% | MII_RX_CLK period |
| M4 | MII_RX_CLK pulse width low | 35% | 65% | MII_RX_CLK period |

Figure 73 shows MII receive signal timing.

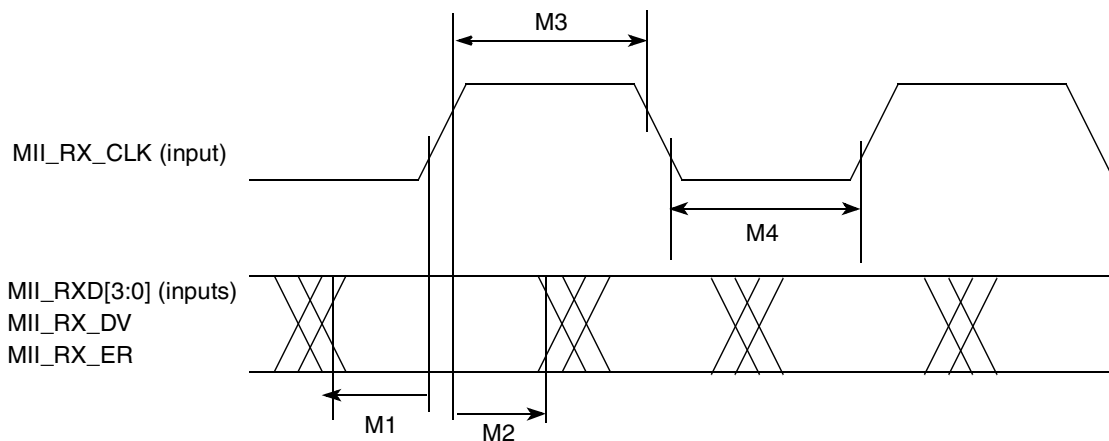


Figure 73. MII Receive Signal Timing Diagram

13.2 MII Transmit Signal Timing (MII_TXD[3:0], MII_TX_EN, MII_TX_ER, MII_TX_CLK)

The transmitter functions correctly up to a MII_TX_CLK maximum frequency of 25 MHz +1%. There is no minimum frequency requirement. In addition, the processor clock frequency must exceed the MII_TX_CLK frequency - 1%.

Table 30 provides information on the MII transmit signal timing.

Table 30. MII Transmit Signal Timing

| Num | Characteristic | Min | Max | Unit |
|-----|--|-----|-----|------|
| M5 | MII_TX_CLK to MII_TXD[3:0], MII_TX_EN, MII_TX_ER invalid | 5 | — | ns |
| M6 | MII_TX_CLK to MII_TXD[3:0], MII_TX_EN, MII_TX_ER valid | — | 25 | |

Table 30. MII Transmit Signal Timing (continued)

| Num | Characteristic | Min | Max | Unit |
|-----|-----------------------------|-----|-----|-------------------|
| M7 | MII_TX_CLK pulse width high | 35% | 65% | MII_TX_CLK period |
| M8 | MII_TX_CLK pulse width low | 35% | 65% | MII_TX_CLK period |

Figure 74 shows the MII transmit signal timing diagram.

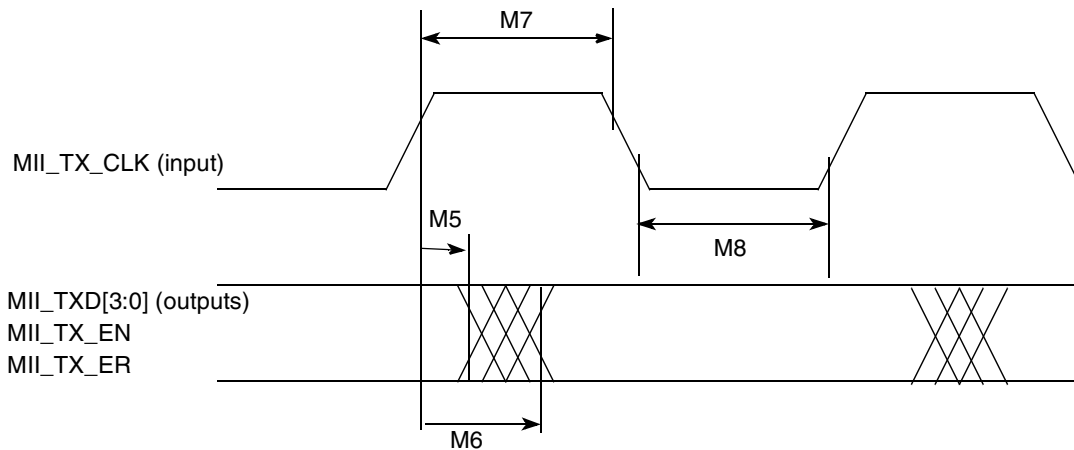


Figure 74. MII Transmit Signal Timing Diagram

13.3 MII Async Inputs Signal Timing (MII_CRCS, MII_COL)

Table 31 provides information on the MII async inputs signal timing.

Table 31. MII Async Inputs Signal Timing

| Num | Characteristic | Min | Max | Unit |
|-----|---------------------------------------|-----|-----|-------------------|
| M9 | MII_CRCS, MII_COL minimum pulse width | 1.5 | — | MII_TX_CLK period |

Figure 75 shows the MII asynchronous inputs signal timing diagram.

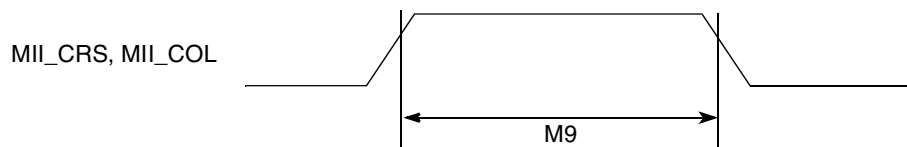


Figure 75. MII Async Inputs Timing Diagram

13.4 MII Serial Management Channel Timing (MII_MDIO, MII_MDC)

Table 32 provides information on the MII serial management channel signal timing. The FEC functions correctly with a maximum MDC frequency in excess of 2.5 MHz. The exact upper bound is under investigation.

Table 32. MII Serial Management Channel Timing

| Num | Characteristic | Min | Max | Unit |
|-----|---|-----|-----|----------------|
| M10 | MII_MDC falling edge to MII_MDIO output invalid (minimum propagation delay) | 0 | — | ns |
| M11 | MII_MDC falling edge to MII_MDIO output valid (max prop delay) | — | 25 | ns |
| M12 | MII_MDIO (input) to MII_MDC rising edge setup | 10 | — | ns |
| M13 | MII_MDIO (input) to MII_MDC rising edge hold | 0 | — | ns |
| M14 | MII_MDC pulse width high | 40% | 60% | MII_MDC period |
| M15 | MII_MDC pulse width low | 40% | 60% | MII_MDC period |

Figure 76 shows the MII serial management channel timing diagram.

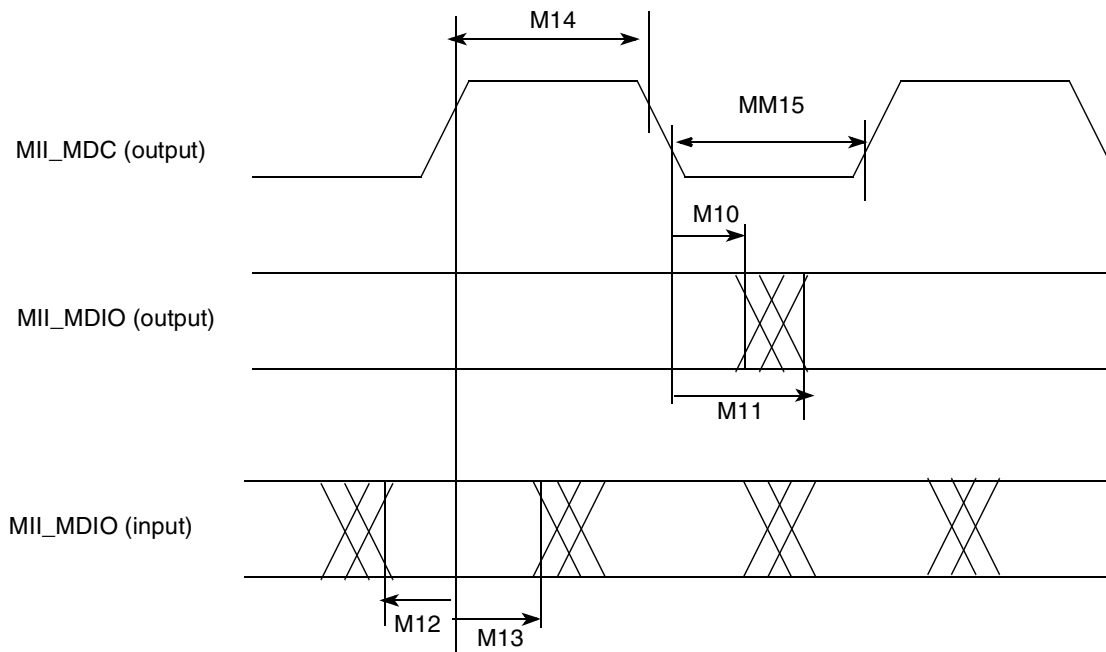


Figure 76. MII Serial Management Channel Timing Diagram

14 Mechanical Data and Ordering Information

Table 33 provides information on the MPC862/857T/857DSL derivative devices.

Table 33. MPC862/857T/857DSL Derivatives

| Device | Number of SCCs ¹ | Ethernet Support | Multi-Channel HDLC Support | ATM Support | Cache Size | |
|---------|-----------------------------|------------------|----------------------------|-------------|-------------|----------|
| | | | | | Instruction | Data |
| MPC862T | Four | 10/100 Mbps | Yes | Yes | 4 Kbytes | 4 Kbytes |
| MPC862P | Four | 10/100 Mbps | Yes | Yes | 16 Kbytes | 8 Kbytes |

Table 33. MPC862/857T/857DSL Derivatives (continued)

| Device | Number of SCCs ¹ | Ethernet Support | Multi-Channel HDLC Support | ATM Support | Cache Size | |
|-----------|-----------------------------|------------------|----------------------------|-------------------|-------------|----------|
| | | | | | Instruction | Data |
| MPC857T | One (SCC1) | 10/100 Mbps | Yes | Yes | 4 Kbytes | 4 Kbytes |
| MPC857DSL | One (SCC1) | 10/100 Mbps | No | Up to 4 addresses | 4 Kbytes | 4 Kbytes |

¹ Serial communications controller (SCC)

Table 34 identifies the packages and operating frequencies orderable for the MPC862/857T/857DSL derivative devices.

Table 34. MPC862/857T/857DSL Package/Frequency Orderable

| Package Type | Temperature (Tj) | Frequency (MHz) | Order Number |
|--------------------------------------|------------------|-----------------|--|
| Plastic ball grid array (ZP suffix) | 0°C to 105°C | 50 | XPC862PZP50B XPC862TZP50B XPC857TZP50B XPC857DSLZP50B |
| | | 66 | XPC862PZP66B XPC862TZP66B XPC857TZP66B XPC857DSLZP66B |
| | | 80 | XPC862PZP80B XPC862TZP80B XPC857TZP80B |
| | | 100 | XPC862PZP100B XPC862TZP100B XPC857TZP100B |
| Plastic ball grid array (CZP suffix) | -40°C to 115°C | 66 ¹ | XPC862PCZP66B XPC857TCZP66B |

¹ Additional extended temperature devices can be made available at 50MHz, 66MHz, and 80MHz

14.1 Pin Assignments

Figure 77 shows the top view pinout of the PBGA package. For additional information, see the *MPC862 PowerQUICC Family User's Manual*.

Table 35 contains a list of the MPC862 input and output signals and shows multiplexing and pin assignments.

Table 35. Pin Assignments

| Name | Pin Number | Type |
|--|--|---------------------------------|
| A[0:31] | B19, B18, A18, C16, B17, A17, B16, A16, D15, C15, B15, A15, C14, B14, A14, D12, C13, B13, D9, D11, C12, B12, B10, B11, C11, D10, C10, A13, A10, A12, A11, A9 | Bidirectional Three-state |
| TSIZ0 $\overline{\text{REG}}$ | B9 | Bidirectional Three-state |
| TSIZ1 | C9 | Bidirectional Three-state |
| $\overline{\text{RD}}/\overline{\text{WR}}$ | B2 | Bidirectional Three-state |
| $\overline{\text{BURST}}$ | F1 | Bidirectional Three-state |
| $\overline{\text{BDIP}}$ $\overline{\text{GPL_B5}}$ | D2 | Output |
| $\overline{\text{TS}}$ | F3 | Bidirectional Active Pull-up |
| $\overline{\text{TA}}$ | C2 | Bidirectional Active Pull-up |
| $\overline{\text{TEA}}$ | D1 | Open-drain |
| $\overline{\text{BI}}$ | E3 | Bidirectional Active Pull-up |
| $\overline{\text{IRQ2}}$ RSV | H3 | Bidirectional Three-state |
| $\overline{\text{IRQ4}}$ $\overline{\text{KR}}$ $\overline{\text{RETRY}}$ SPKROUT | K1 | Bidirectional Three-state |
| $\overline{\text{CR}}$ $\overline{\text{IRQ3}}$ | F2 | Input |
| D[0:31] | W14, W12, W11, W10, W13, W9, W7, W6, U13, T11, V11, U11, T13, V13, V10, T10, U10, T12, V9, U9, V8, U8, T9, U12, V7, T8, U7, V12, V6, W5, U6, T7 | Bidirectional Three-state |
| DP0 $\overline{\text{IRQ3}}$ | V3 | Bidirectional Three-state |
| DP1 $\overline{\text{IRQ4}}$ | V5 | Bidirectional Three-state |
| DP2 $\overline{\text{IRQ5}}$ | W4 | Bidirectional Three-state |
| DP3 $\overline{\text{IRQ6}}$ | V4 | Bidirectional Three-state |

Table 35. Pin Assignments (continued)

| Name | Pin Number | Type |
|--|------------------------|---------------------------------|
| \overline{BR} | G4 | Bidirectional |
| \overline{BG} | E2 | Bidirectional |
| \overline{BB} | E1 | Bidirectional Active Pull-up |
| \overline{FRZ} $\overline{IRQ6}$ | G3 | Bidirectional |
| $\overline{IRQ0}$ | V14 | Input |
| $\overline{IRQ1}$ | U14 | Input |
| M_TX_CLK $\overline{IRQ7}$ | W15 | Input |
| $\overline{CS}[0:5]$ | C3, A2, D4, E4, A4, B4 | Output |
| $\overline{CS6}$ $\overline{CE1_B}$ | D5 | Output |
| $\overline{CS7}$ $\overline{CE2_B}$ | C4 | Output |
| $\overline{WE0}$ $\overline{BS_B0}$ IORD | C7 | Output |
| $\overline{WE1}$ $\overline{BS_B1}$ IOWR | A6 | Output |
| $\overline{WE2}$ $\overline{BS_B2}$ PCOE | B6 | Output |
| $\overline{WE3}$ $\overline{BS_B3}$ PCWE | A5 | Output |
| $\overline{BS_A}[0:3]$ | D8, C8, A7, B8 | Output |
| $\overline{GPL_A0}$ $\overline{GPL_B0}$ | D7 | Output |
| \overline{OE} $\overline{GPL_A1}$ $\overline{GPL_B1}$ | C6 | Output |
| $\overline{GPL_A}[2:3]$ $\overline{GPL_B}[2:3]$ $\overline{CS}[2-3]$ | B5, C5 | Output |
| UPWAITA $\overline{GPL_A4}$ | C1 | Bidirectional |
| UPWAITB $\overline{GPL_B4}$ | B1 | Bidirectional |

Table 35. Pin Assignments (continued)

| Name | Pin Number | Type |
|--|------------|---------------------------|
| $\overline{\text{GPL_A5}}$ | D3 | Output |
| $\overline{\text{PORESET}}$ | R2 | Input |
| $\overline{\text{RSTCONF}}$ | P3 | Input |
| $\overline{\text{HRESET}}$ | N4 | Open-drain |
| $\overline{\text{SRESET}}$ | P2 | Open-drain |
| XTAL | P1 | Analog Output |
| EXTAL | N1 | Analog Input (3.3 V only) |
| XFC | T2 | Analog Input |
| CLKOUT | W3 | Output |
| EXTCLK | N2 | Input (3.3 V only) |
| TEXP | N3 | Output |
| ALE_A MII-TXD1 | K2 | Output |
| $\overline{\text{CE1_A}}$ MII-TXD2 | B3 | Output |
| $\overline{\text{CE2_A}}$ MII-TXD3 | A3 | Output |
| $\overline{\text{WAIT_A}}$ SOC_Split ² | R3 | Input |
| $\overline{\text{WAIT_B}}$ | R4 | Input |
| IP_A0 UTPB_Split0 ² MII-RXD3 | T5 | Input |
| IP_A1 UTPB_Split1 ² MII-RXD2 | T4 | Input |
| IP_A2 $\overline{\text{IOIS16_A}}$ UTPB_Split2 ² MII-RXD1 | U3 | Input |
| IP_A3 UTPB_Split3 ² MII-RXD0 | W2 | Input |
| IP_A4 UTPB_Split4 ² MII-RXCLK | U4 | Input |
| IP_A5 UTPB_Split5 ² MII-RXERR | U5 | Input |

Table 35. Pin Assignments (continued)

| Name | Pin Number | Type |
|--|------------|------------------------------|
| IP_A6 UTPB_Split6 ² MII-TXERR | T6 | Input |
| IP_A7 UTPB_Split7 ² MII-RXDV | T3 | Input |
| ALE_B DSCK/AT1 | J1 | Bidirectional Three-state |
| IP_B[0:1] IWP[0:1] VFLS[0:1] | H2, J3 | Bidirectional |
| IP_B2 $\overline{\text{IOIS16_B}}$ AT2 | J2 | Bidirectional Three-state |
| IP_B3 IWP2 VF2 | G1 | Bidirectional |
| IP_B4 LWP0 VF0 | G2 | Bidirectional |
| IP_B5 LWP1 VF1 | J4 | Bidirectional |
| IP_B6 DSDI AT0 | K3 | Bidirectional Three-state |
| IP_B7 $\overline{\text{PTR}}$ AT3 | H1 | Bidirectional Three-state |
| OP0 MII-TXD0 UtpClk_Split ² | L4 | Bidirectional |
| OP1 | L2 | Output |
| OP2 MODCK1 $\overline{\text{STS}}$ | L1 | Bidirectional |
| OP3 MODCK2 DSDO | M4 | Bidirectional |
| BADDR30 $\overline{\text{REG}}$ | K4 | Output |
| BADDR[28:29] | M3, M2 | Output |
| $\overline{\text{AS}}$ | L3 | Input |

Table 35. Pin Assignments (continued)

| Name | Pin Number | Type |
|--|------------|---|
| PA15 RXD1 RXD4 | C18 | Bidirectional |
| PA14 TXD1 TXD4 | D17 | Bidirectional (Optional: Open-drain) |
| PA13 RXD2 | E17 | Bidirectional |
| PA12 TXD2 | F17 | Bidirectional (Optional: Open-drain) |
| PA11 L1TXDB RXD3 | G16 | Bidirectional (Optional: Open-drain) |
| PA10 L1RXDB TXD3 | J17 | Bidirectional (Optional: Open-drain) |
| PA9 L1TXDA RXD4 | K18 | Bidirectional (Optional: Open-drain) |
| PA8 L1RXDA TXD4 | L17 | Bidirectional (Optional: Open-drain) |
| PA7 CLK1 L1RCLKA BRGO1 TIN1 | M19 | Bidirectional |
| PA6 CLK2 $\overline{\text{TOUT1}}$ | M17 | Bidirectional |
| PA5 CLK3 L1TCLKA BRGO2 TIN2 | N18 | Bidirectional |
| PA4 CLK4 $\overline{\text{TOUT2}}$ | P19 | Bidirectional |
| PA3 CLK5 BRGO3 TIN3 | P17 | Bidirectional |

Table 35. Pin Assignments (continued)

| Name | Pin Number | Type |
|--|------------|---|
| PA2 CLK6 <u>TOUT3</u> L1RCLKB | R18 | Bidirectional |
| PA1 CLK7 BRGO4 TIN4 | T19 | Bidirectional |
| PA0 CLK8 <u>TOUT4</u> L1TCLKB | U19 | Bidirectional |
| PB31 <u>SPISEL</u> <u>REJECT1</u> | C17 | Bidirectional (Optional: Open-drain) |
| PB30 SPICLK RSTR2 | C19 | Bidirectional (Optional: Open-drain) |
| PB29 SPIMOSI | E16 | Bidirectional (Optional: Open-drain) |
| PB28 SPIMISO BRGO4 | D19 | Bidirectional (Optional: Open-drain) |
| PB27 I2CSDA BRGO1 | E19 | Bidirectional (Optional: Open-drain) |
| PB26 I2CSCL BRGO2 | F19 | Bidirectional (Optional: Open-drain) |
| PB25 RXADDR3 ² SMTXD1 | J16 | Bidirectional (Optional: Open-drain) |
| PB24 TXADDR3 ² SMRXD1 | J18 | Bidirectional (Optional: Open-drain) |
| PB23 TXADDR2 ² <u>SDACK1</u> <u>SMSYN1</u> | K17 | Bidirectional (Optional: Open-drain) |
| PB22 TXADDR4 ² <u>SDACK2</u> <u>SMSYN2</u> | L19 | Bidirectional (Optional: Open-drain) |

Table 35. Pin Assignments (continued)

| Name | Pin Number | Type |
|---|------------|---|
| PB21 SMTXD2 L1CLKOB PHSEL1 ¹ TXADDR1 ² | K16 | Bidirectional (Optional: Open-drain) |
| PB20 SMRXD2 L1CLKOA PHSEL0 ¹ TXADDR0 ² | L16 | Bidirectional (Optional: Open-drain) |
| PB19 $\overline{\text{RTS1}}$ L1ST1 | N19 | Bidirectional (Optional: Open-drain) |
| PB18 RXADDR4 ² $\overline{\text{RTS2}}$ L1ST2 | N17 | Bidirectional (Optional: Open-drain) |
| PB17 $\overline{\text{L1RQb}}$ L1ST3 $\overline{\text{RTS3}}$ PHREQ1 ¹ RXADDR1 ² | P18 | Bidirectional (Optional: Open-drain) |
| PB16 $\overline{\text{L1RQa}}$ L1ST4 $\overline{\text{RTS4}}$ PHREQ0 ¹ RXADDR0 ² | N16 | Bidirectional (Optional: Open-drain) |
| PB15 BRGO3 TxClav | R17 | Bidirectional |
| PB14 RXADDR2 ² $\overline{\text{RSTRT1}}$ | U18 | Bidirectional |
| PC15 $\overline{\text{DREQ0}}$ $\overline{\text{RTS1}}$ L1ST1 RxClav | D16 | Bidirectional |
| PC14 $\overline{\text{DREQ1}}$ $\overline{\text{RTS2}}$ L1ST2 | D18 | Bidirectional |

Table 35. Pin Assignments (continued)

| Name | Pin Number | Type |
|---------------------------------------|------------|---------------|
| PC13 L1RQb L1ST3 RTS3 | E18 | Bidirectional |
| PC12 L1RQa L1ST4 RTS4 | F18 | Bidirectional |
| PC11 CTS1 | J19 | Bidirectional |
| PC10 CD1 TGATE1 | K19 | Bidirectional |
| PC9 CTS2 | L18 | Bidirectional |
| PC8 CD2 TGATE2 | M18 | Bidirectional |
| PC7 CTS3 L1TSYNCB SDACK2 | M16 | Bidirectional |
| PC6 CD3 L1RSYNCA | R19 | Bidirectional |
| PC5 CTS4 L1TSYNCA SDACK1 | T18 | Bidirectional |
| PC4 CD4 L1RSYNCA | T17 | Bidirectional |
| PD15 L1TSYNCA MII-RXD3 UTPB0 | U17 | Bidirectional |
| PD14 L1RSYNCA MII-RXD2 UTPB1 | V19 | Bidirectional |
| PD13 L1TSYNCB MII-RXD1 UTPB2 | V18 | Bidirectional |

Table 35. Pin Assignments (continued)

| Name | Pin Number | Type |
|--------------------------------------|------------|---------------|
| PD12 L1RSYNCB MII-MDC UTPB3 | R16 | Bidirectional |
| PD11 RXD3 MII-TXERR RXENB | T16 | Bidirectional |
| PD10 TXD3 MII-RXD0 TXENB | W18 | Bidirectional |
| PD9 RXD4 MII-TXD0 UTPCLK | V17 | Bidirectional |
| PD8 TXD4 MII-MDC MII-RXCLK | W17 | Bidirectional |
| PD7 RTS3 MII-RXERR UTPB4 | T15 | Bidirectional |
| PD6 RTS4 MII-RXDV UTPB5 | V16 | Bidirectional |
| PD5 REJECT2 MII-TXD3 UTPB6 | U15 | Bidirectional |
| PD4 REJECT3 MII-TXD2 UTPB7 | U16 | Bidirectional |
| PD3 REJECT4 MII-TXD1 SOC | W16 | Bidirectional |
| TMS | G18 | Input |
| TDI DSDI | H17 | Input |
| TCK DSCK | H16 | Input |

Table 35. Pin Assignments (continued)

| Name | Pin Number | Type |
|-------------|---|---------------|
| TRST | G19 | Input |
| TDO DSDO | G17 | Output |
| M_CRS | B7 | Input |
| M_MDIO | H18 | Bidirectional |
| M_TXEN | V15 | Output |
| M_COL | H4 | Input |
| KAPWR | R1 | Power |
| GND | F6, F7, F8, F9, F10, F11, F12, F13, F14, G6, G7, G8, G9, G10, G11, G12, G13, G14, H6, H7, H8, H9, H10, H11, H12, H13, H14, J6, J7, J8, J9, J10, J11, J12, J13, J14, K6, K7, K8, K9, K10, K11, K12, K13, K14, L6, L7, L8, L9, L10, L11, L12, L13, L14, M6, M7, M8, M9, M10, M11, M12, M13, M14, N6, N7, N8, N9, N10, N11, N12, N13, N14, P6, P7, P8, P9, P10, P11, P12, P13, P14 | Power |
| VDDL | A8, M1, W8, H19, F4, F16, P4, P16 | Power |
| VDDH | E5, E6, E7, E8, E9, E10, E11, E12, E13, E14, E15, F5, F15, G5, G15, H5, H15, J5, J15, K5, K15, L5, L15, M5, M15, N5, N15, P5, P15, R5, R6, R7, R8, R9, R10, R11, R12, R13, R14, R15, T14 | Power |
| N/C | D6, D13, D14, U2, V2 | No-connect |

¹ Classic SAR mode only

² ESAR mode only

14.2 Mechanical Dimensions of the PBGA Package

For more information on the printed circuit board layout of the PBGA package, including thermal via design and suggested pad layout, please refer to *Plastic Ball Grid Array Application Note* (order number: AN1231/D) available from your local Freescale sales office. [Figure 78](#) shows the mechanical dimensions of the PBGA package.

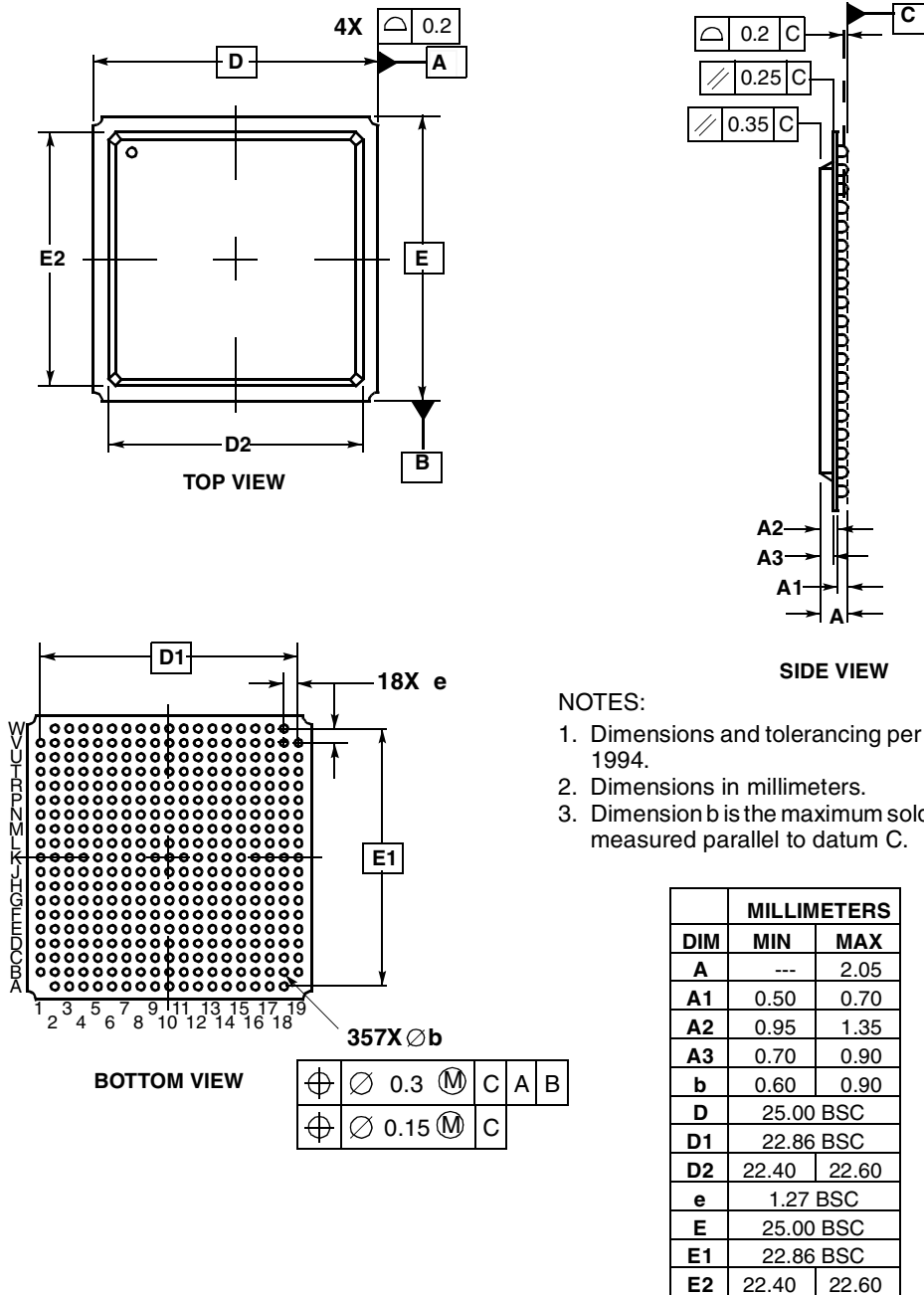


Figure 78. Mechanical Dimensions and Bottom Surface Nomenclature of the PBGA Package

Case No. 1103-01

15 Document Revision History

Table 36 lists significant changes between revisions of this document.

Table 36. Document Revision History

| Rev. No. | Date | Substantive Changes |
|----------|---------|--|
| 0 | 2001 | Initial revision |
| 0.1 | 9/2001 | Change extended temperature from 95 to 105 |
| 0.2 | 11/2001 | Revised for new template, changed Table 7 B23 max value @ 66 MHz from 2 ns to 8 ns. |
| 0.3 | 4/2002 | <ul style="list-style-type: none"> • Timing modified and equations added, for Rev. A and B devices. • Modified power numbers and temperature ranges. Added ESAR UTOPIA timing. |
| 1.0 | 9/2002 | <ul style="list-style-type: none"> • Specification changed to include the MPC857T and MPC857DSL. • Changed maximum operating frequency from 80 MHz to 100 MHz. • Removed MPC862DP, DT, and SR derivatives and part numbers. • Corrected power dissipation numbers. • Changed UTOPIA maximum frequency from 50 MHz to 33 MHz. • Changed part number ordering information to Rev. B devices only. • To maximum ratings for temperature, added frequency ranges. |
| 1.1 | 5/2003 | Changed SPI Master Timing Specs. 162 and 164 |
| 1.2 | 8/2003 | <ul style="list-style-type: none"> • Changed B28a through B28d and B29b to show that TRLX can be 0 or 1. • Non-technical reformatting |
| 2.0 | 11/2004 | <ul style="list-style-type: none"> • Added a table footnote to Table 5 DC Electrical Specifications about meeting the VIL Max of the I2C Standard. • Updated document template. |
| 3.0 | 2/2006 | <ul style="list-style-type: none"> • Changed Tj from 95C to 105C in table 34 |

THIS PAGE INTENTIONALLY LEFT BLANK

How to Reach Us:

Home Page:

www.freescale.com

email:

support@freescale.com

USA/Europe or Locations Not Listed:

Freescale Semiconductor
Technical Information Center, CH370
1300 N. Alma School Road
Chandler, Arizona 85224
(800) 521-6274
480-768-2130
support@freescale.com

Europe, Middle East, and Africa:

Freescale Halbleiter Deutschland GmbH
Technical Information Center
Schatzbogen 7
81829 Muenchen, Germany
+44 1296 380 456 (English)
+46 8 52200080 (English)
+49 89 92103 559 (German)
+33 1 69 35 48 48 (French)
support@freescale.com

Japan:

Freescale Semiconductor Japan Ltd.
Headquarters
ARCO Tower 15F
1-8-1, Shimo-Meguro, Meguro-ku
Tokyo 153-0064, Japan
0120 191014
+81 2666 8080
support.japan@freescale.com

Asia/Pacific:

Freescale Semiconductor Hong Kong Ltd.
Technical Information Center
2 Dai King Street
Tai Po Industrial Estate,
Tai Po, N.T., Hong Kong
+800 2666 8080
support.asia@freescale.com

For Literature Requests Only:

Freescale Semiconductor
Literature Distribution Center
P.O. Box 5405
Denver, Colorado 80217
(800) 441-2447
303-675-2140
Fax: 303-675-2150
LDCForFreescaleSemiconductor
@hibbertgroup.com

Information in this document is provided solely to enable system and software implementers to use Freescale Semiconductor products. There are no express or implied copyright licenses granted hereunder to design or fabricate any integrated circuits or integrated circuits based on the information in this document.

Freescale Semiconductor reserves the right to make changes without further notice to any products herein. Freescale Semiconductor makes no warranty, representation or guarantee regarding the suitability of its products for any particular purpose, nor does Freescale Semiconductor assume any liability arising out of the application or use of any product or circuit, and specifically disclaims any and all liability, including without limitation consequential or incidental damages. "Typical" parameters which may be provided in Freescale Semiconductor data sheets and/or specifications can and do vary in different applications and actual performance may vary over time. All operating parameters, including "Typicals" must be validated for each customer application by customer's technical experts. Freescale Semiconductor does not convey any license under its patent rights nor the rights of others. Freescale Semiconductor products are not designed, intended, or authorized for use as components in systems intended for surgical implant into the body, or other applications intended to support or sustain life, or for any other application in which the failure of the Freescale Semiconductor product could create a situation where personal injury or death may occur. Should Buyer purchase or use Freescale Semiconductor products for any such unintended or unauthorized application, Buyer shall indemnify and hold Freescale Semiconductor and its officers, employees, subsidiaries, affiliates, and distributors harmless against all claims, costs, damages, and expenses, and reasonable attorney fees arising out of, directly or indirectly, any claim of personal injury or death associated with such unintended or unauthorized use, even if such claim alleges that Freescale Semiconductor was negligent regarding the design or manufacture of the part.

Freescale™ and the Freescale logo are trademarks of Freescale Semiconductor, Inc. The described product contains a PowerPC processor core. The PowerPC name is a trademark of IBM Corp. and used under license. All other product or service names are the property of their respective owners.

© Freescale Semiconductor, Inc., 2006.

Document Number: MPC862EC
Rev. 3
2/2006

